

**FJHD**

**恒富集团**  
HENG FUGROUP

**恒达富士电梯有限公司**  
HENGDAFUJIELEVATOR CO.,LTD.



1	.....	1
2	.....	7
3	.....	11
4	5S .....	14
5	.....	17
6	.....	23
7	.....	34
8	.....	46
9	.....	50
10	.....	53
11	.....	59
12	.....	65
13	.....	67
14	.....	70
15	.....	71
16	.....	72
17	.....	73
18	.....	75
19	.....	76

1

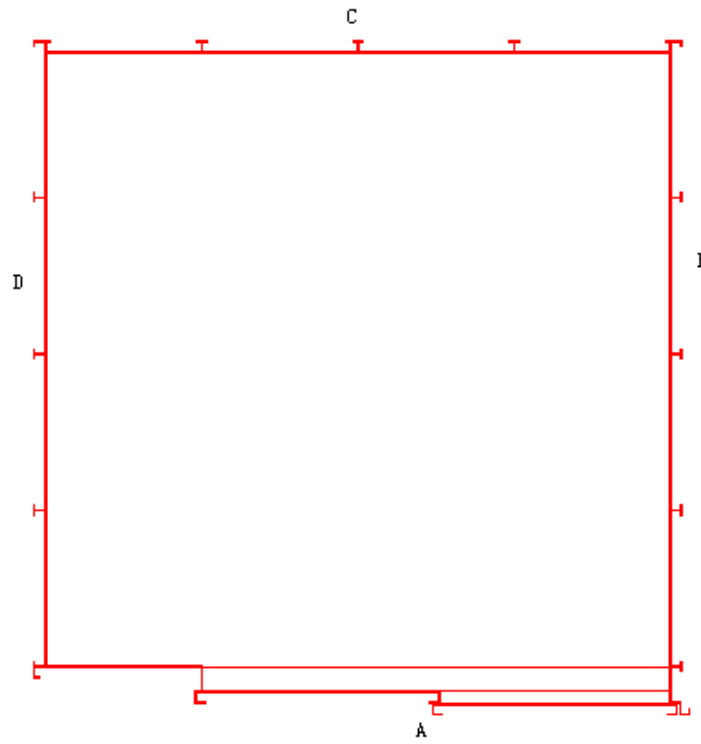
FJHD

FJHD

2.0 m/s  
10000 kg

1-1

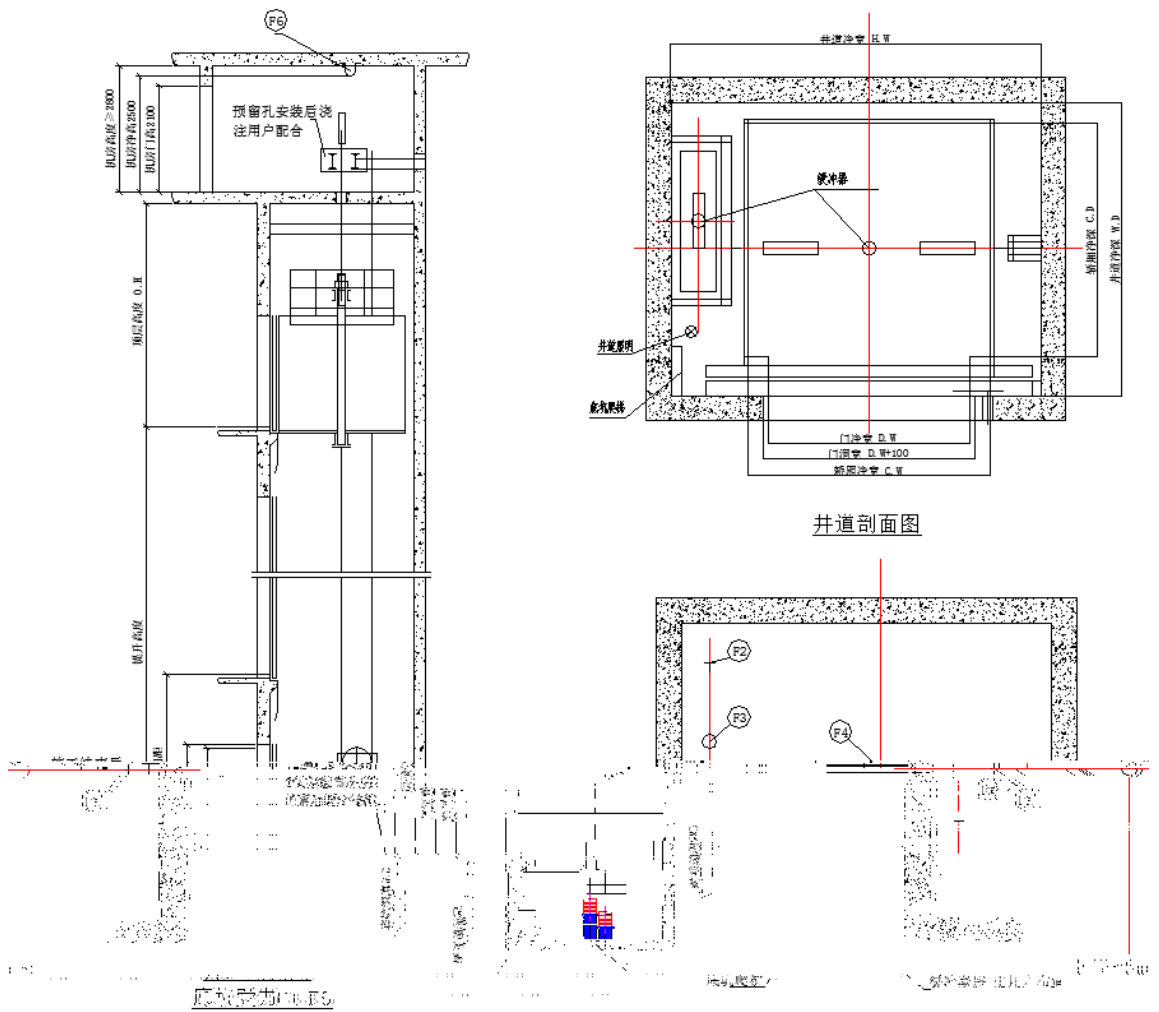

1.1



1-1

1-2

Q		kg	
V		m/s	
ELEVN			
NOF			
MF			
FFL			
CL			
D L			
!	!		
"	"		
C	C		
D	D		

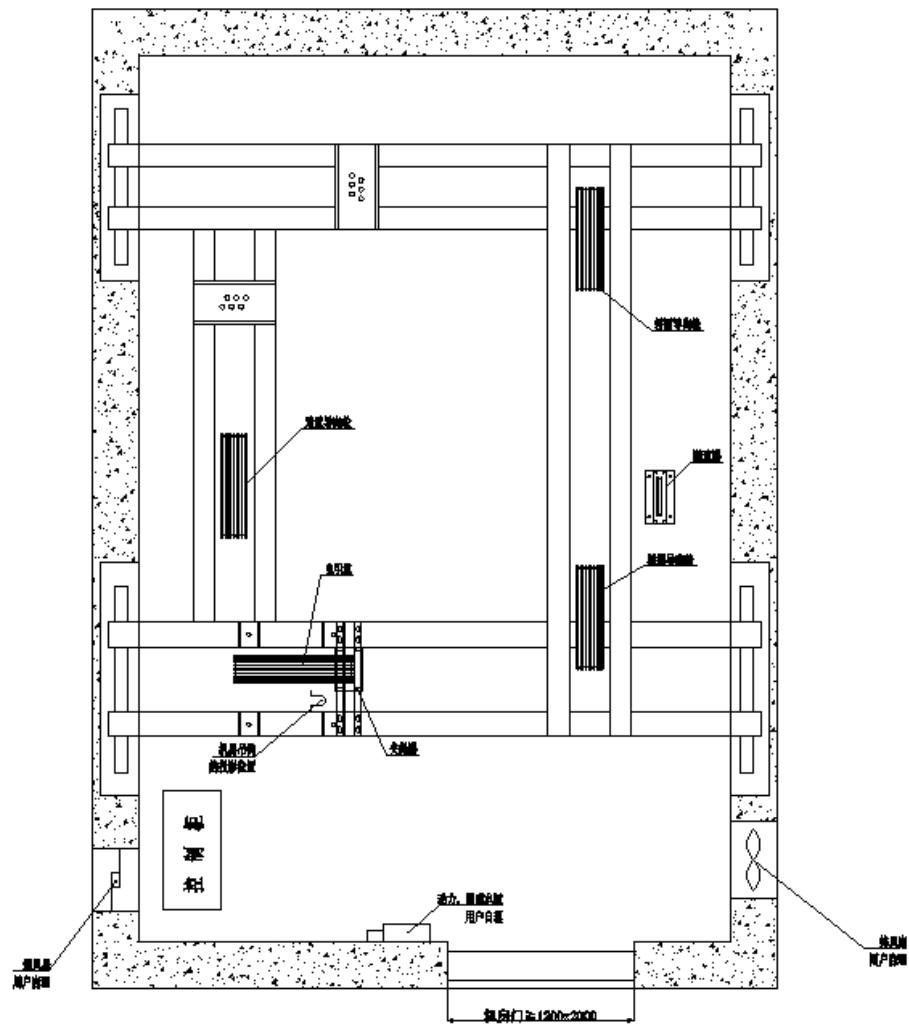


1-2

1-3

OH		mm	
#D		mm	
JDJ\$		mm	
JDJS		mm	
H1		mm	
%&		mm	
		mm	
J		mm	
' \$		mm	
' S		mm	
		mm	

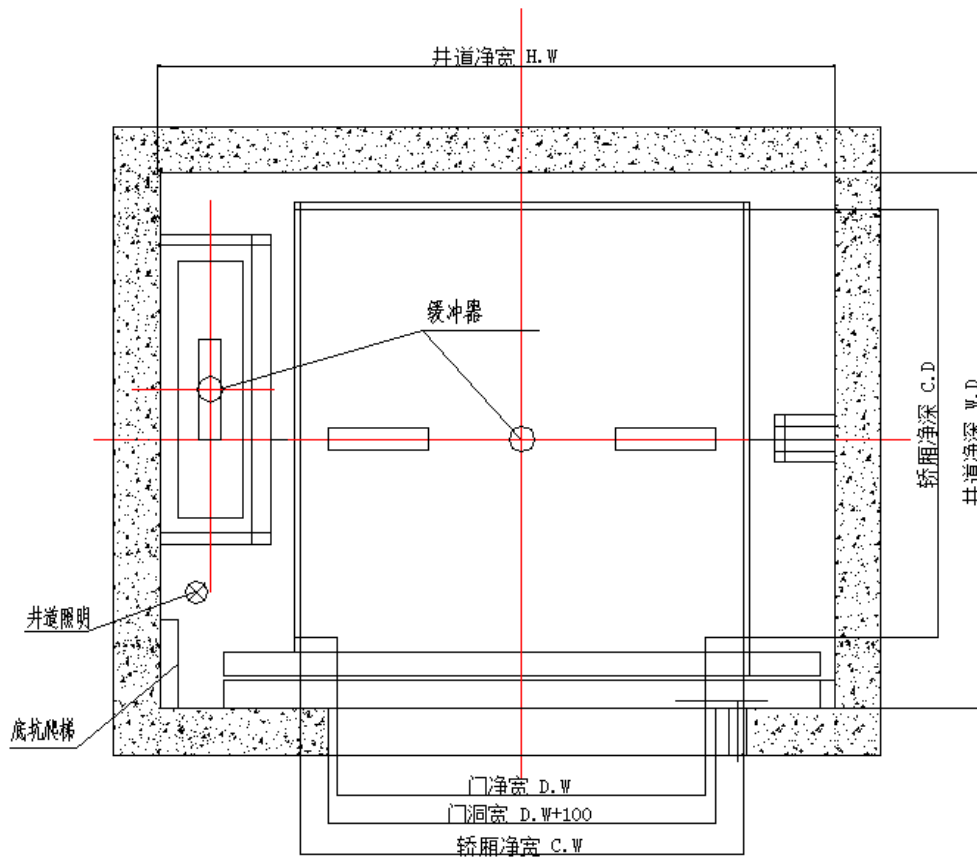




1-4

4(1)





1-5

0.5

4

H. ')		mm	
H.D		mm	
' .S		mm	
' .S		mm	
L&		mm	D. ' ) 100
D. ')		mm	

1-4

2

2.1

5

2.1.5

2-1


-	
	1



2.4.

2-3

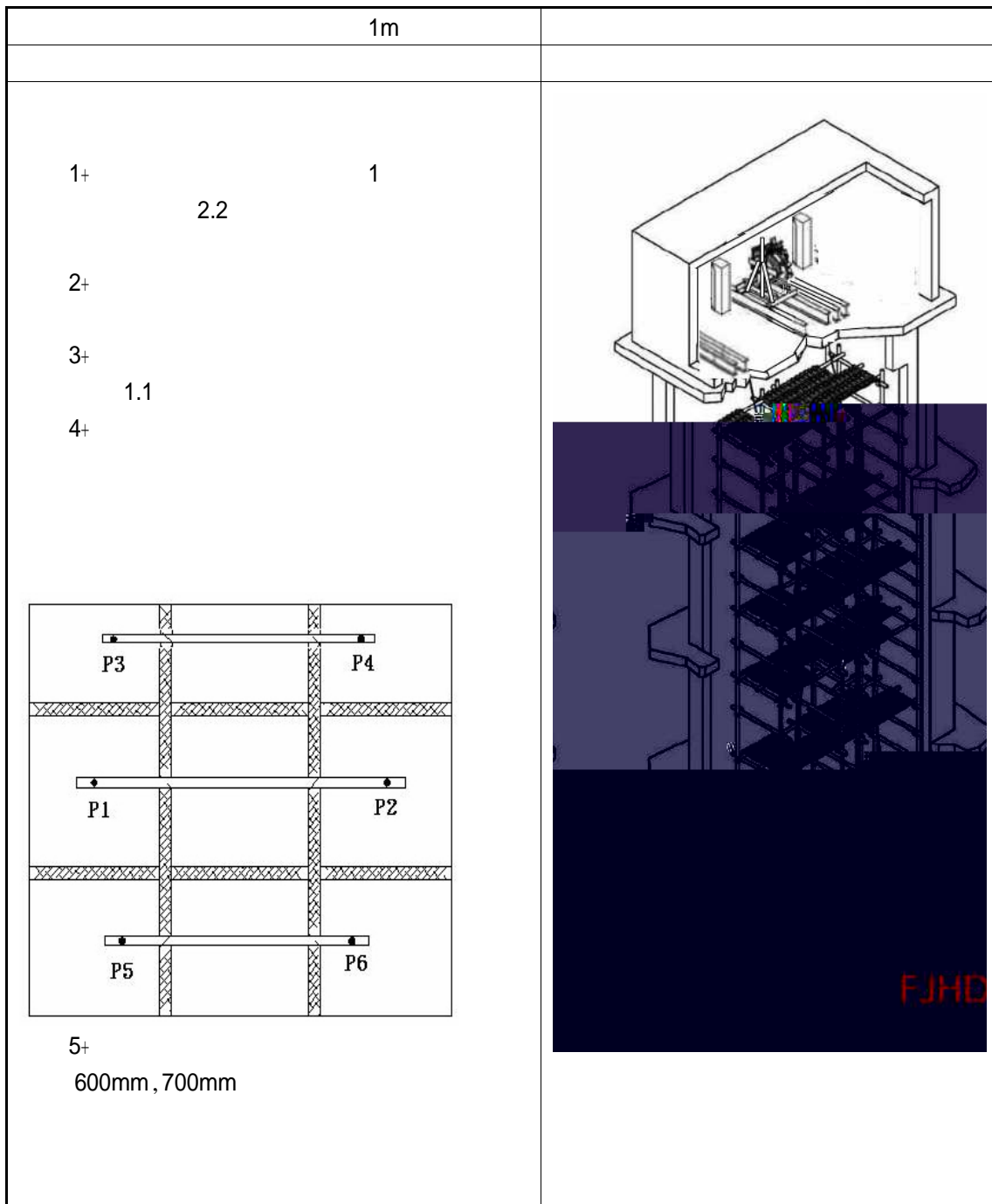
1.8
2.0
300mm

3

3.1.

3-1

100*	
	20
1.5m	



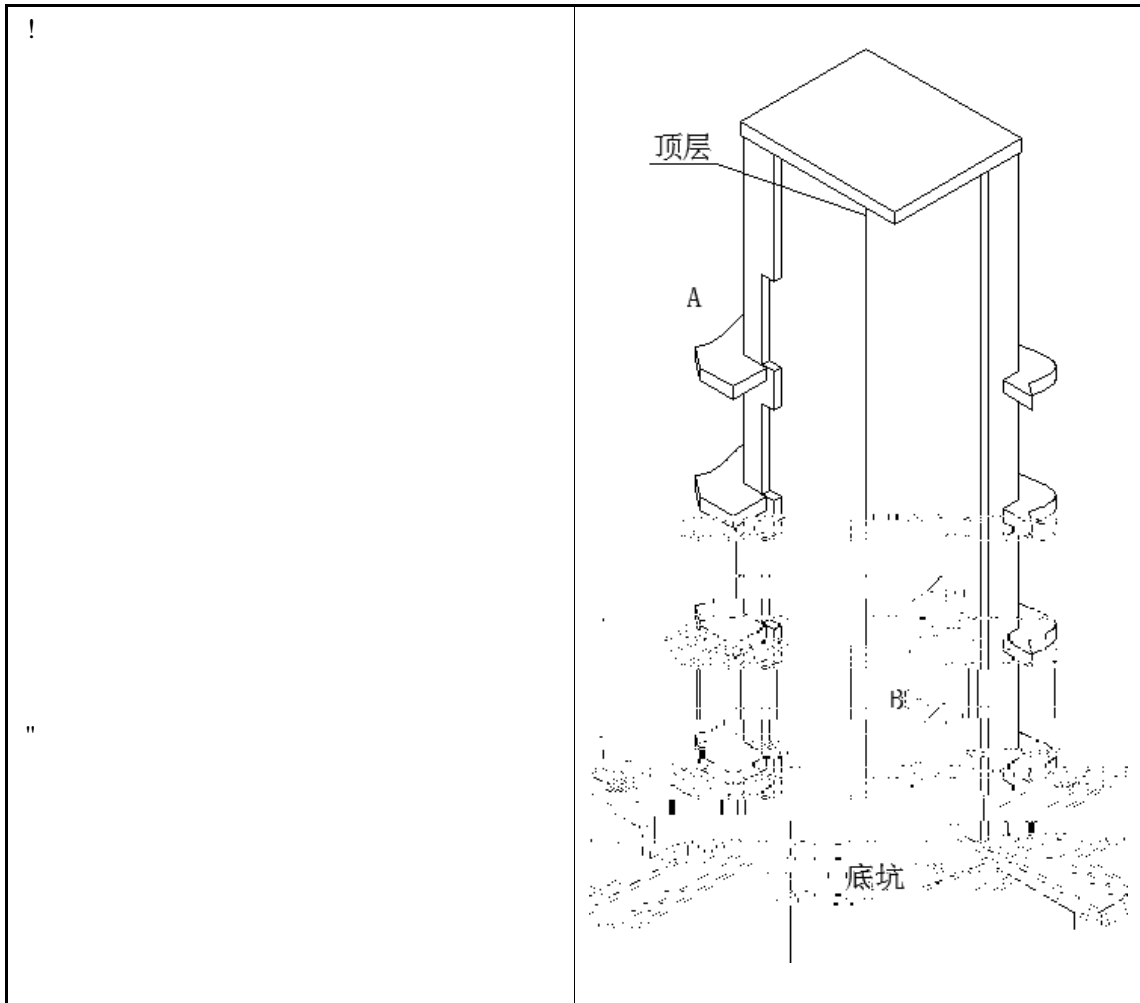
3.2.

4

5S



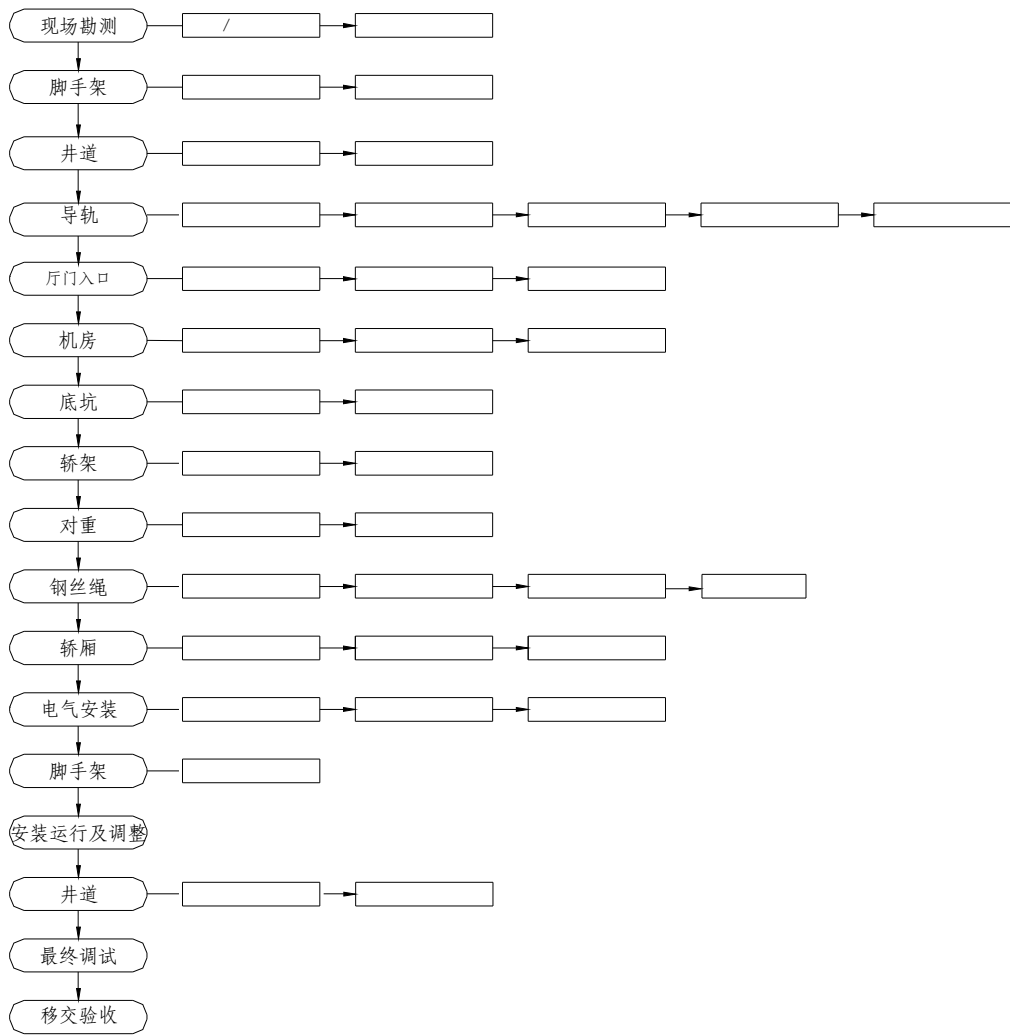
20  
21



4.2. 5S

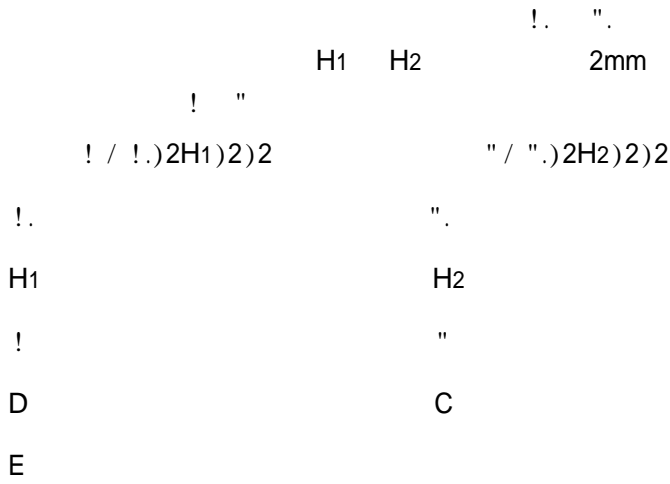
4.3.

4-1

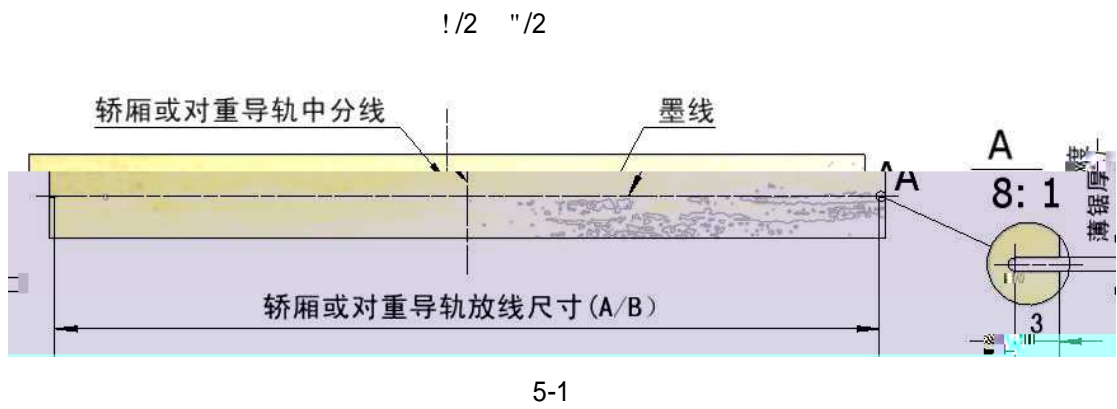




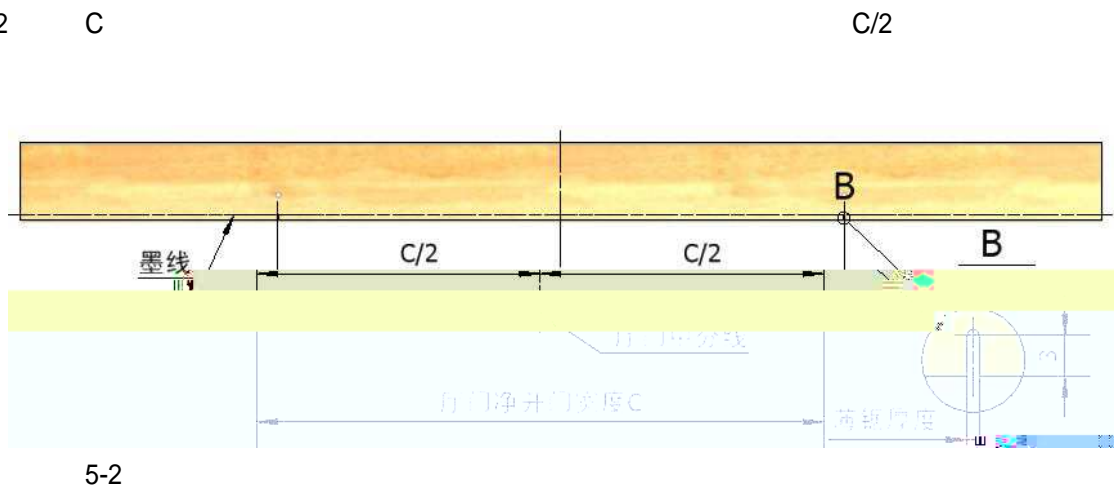
5.4



5.4.1



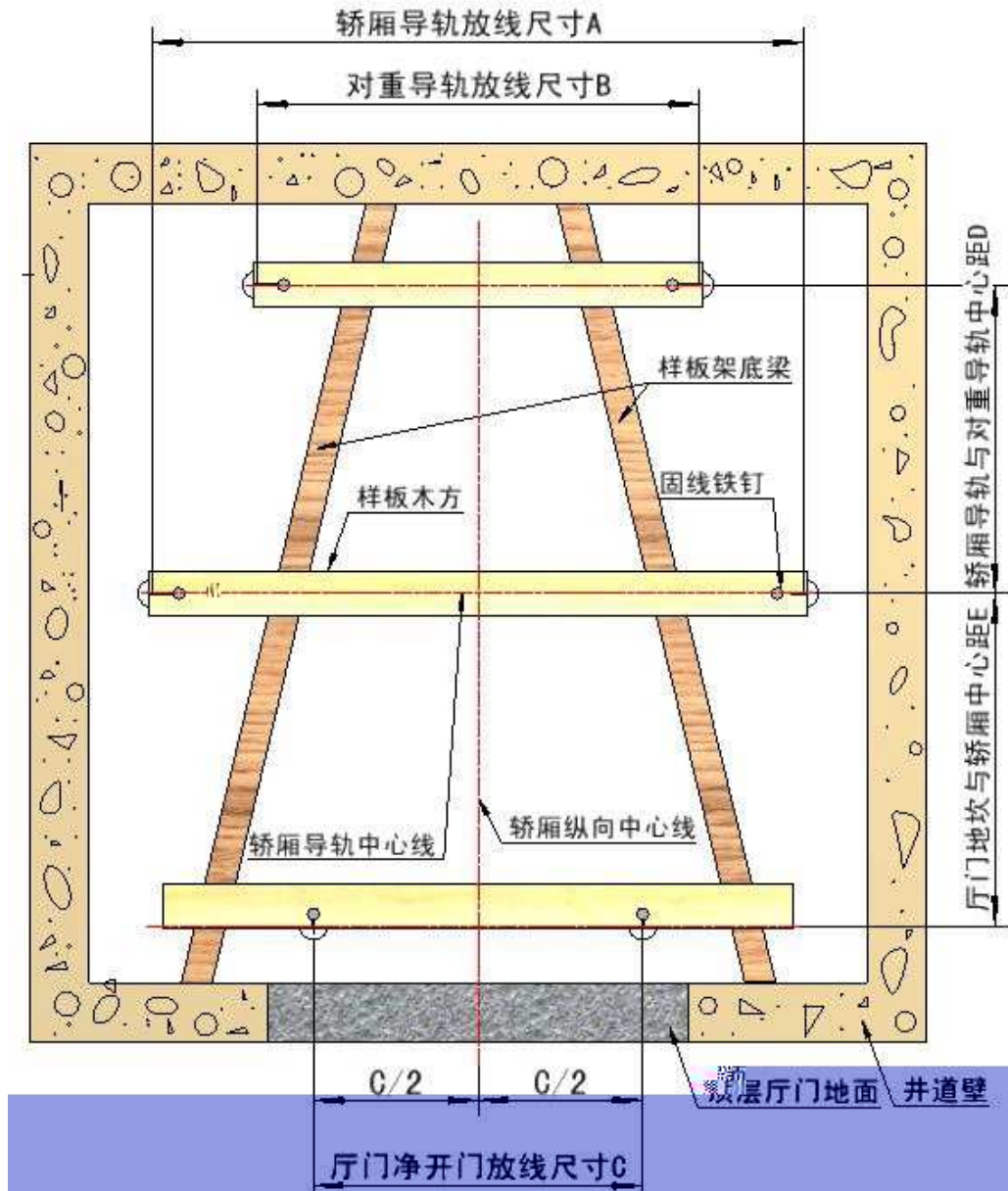
5.4.2



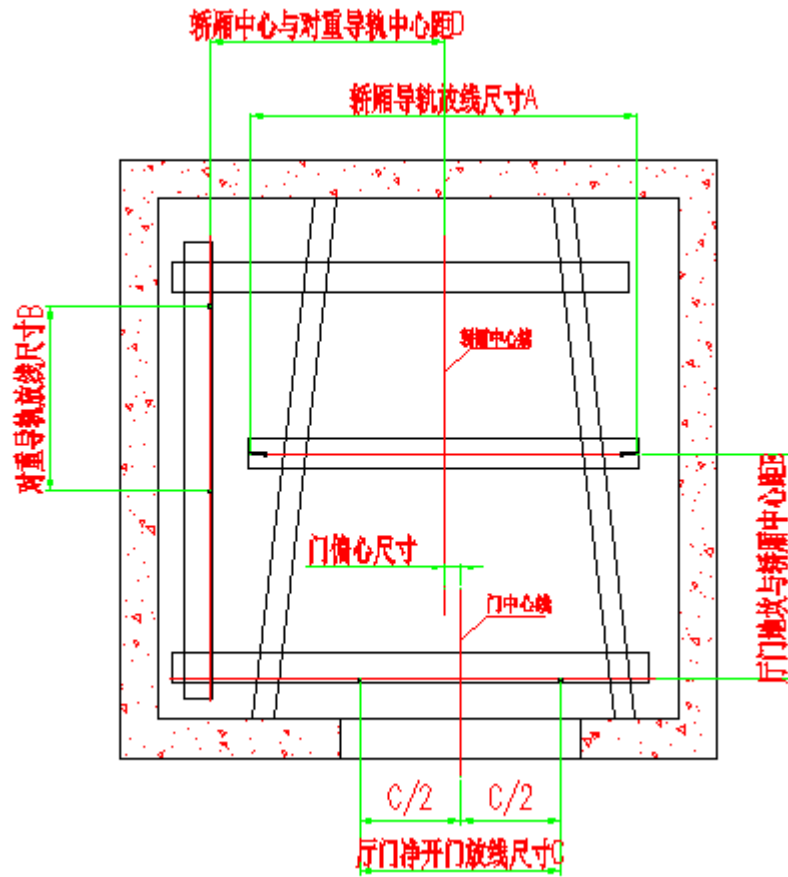
5.5

- 0. 5mm
- 1. 1mm
- 2. 1mm

5.6.



5-3



5-4

5.6.1

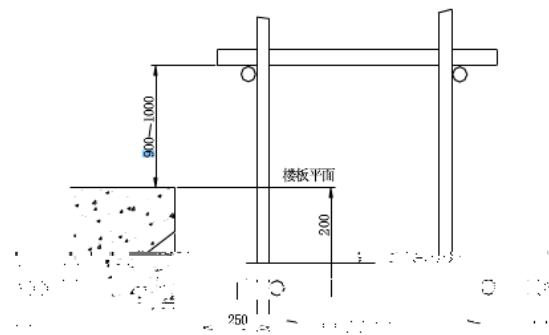
223

5.6.2

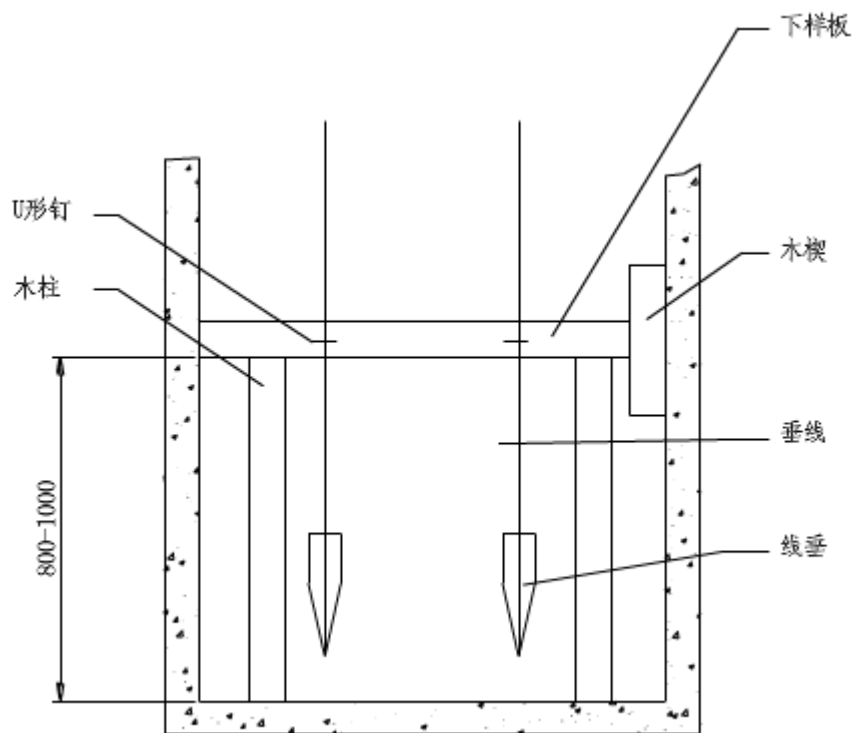
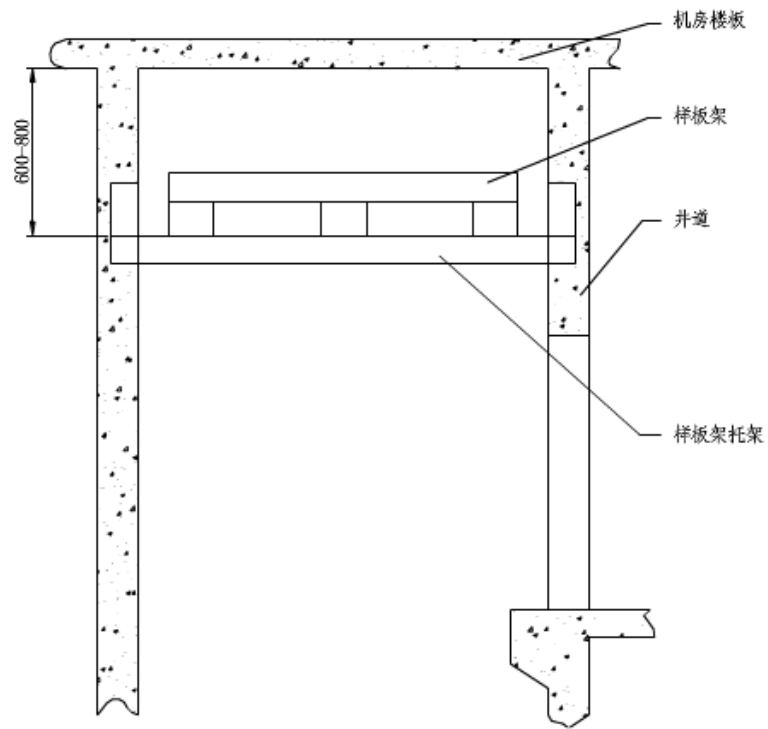
D E

1/1000

± 0.5mm



5-5



5.6.3

5.6.3.1  
2018

5.6.3.2

30mm

5.6.3.3

5.6.4

0.5mm

0.5mm

5.6.5



6

6.1

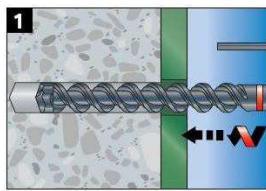
2.5m

5mm

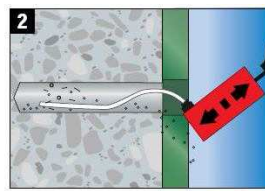
6.1.1

8-10mm,

3-5mm



钻孔



吹出尘土和碎末



6-1

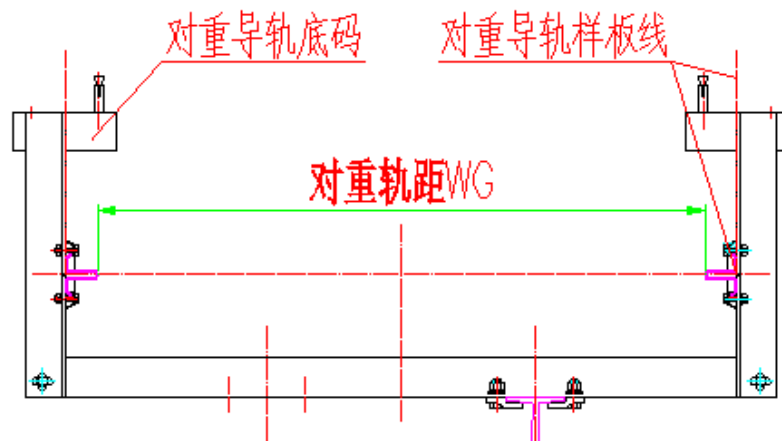
6.1.2

6.2

4

H

F

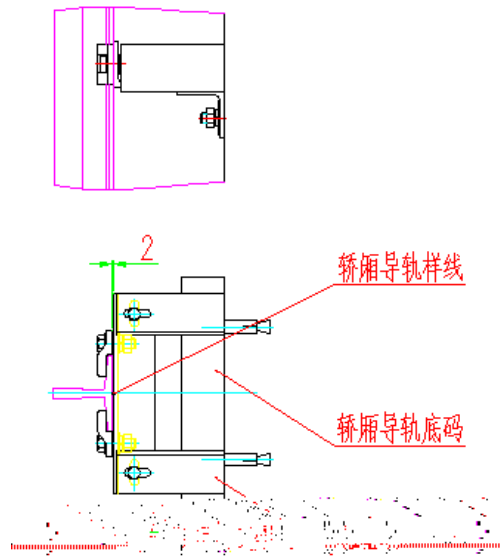


6-2



6-3

6.3

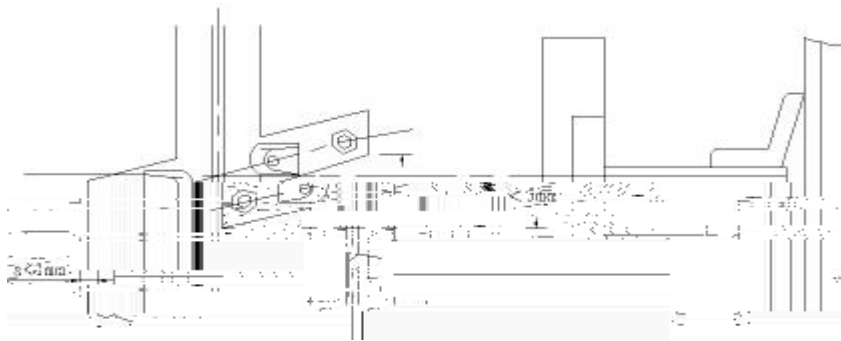


6-4

5mm

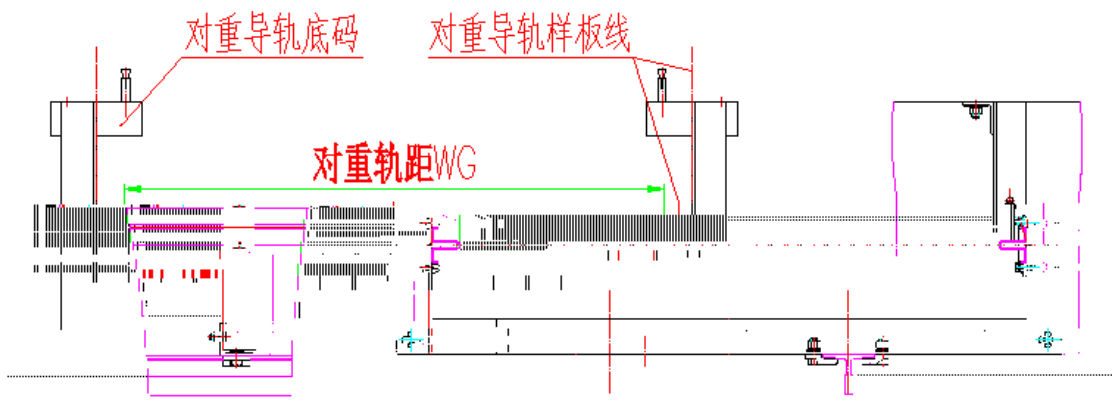
a 1mm

:



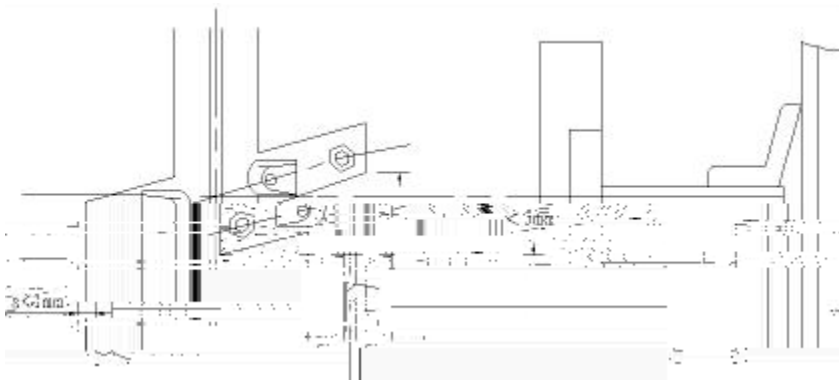
6-5

6.4



6-6

5mm a 1mm :



6-7

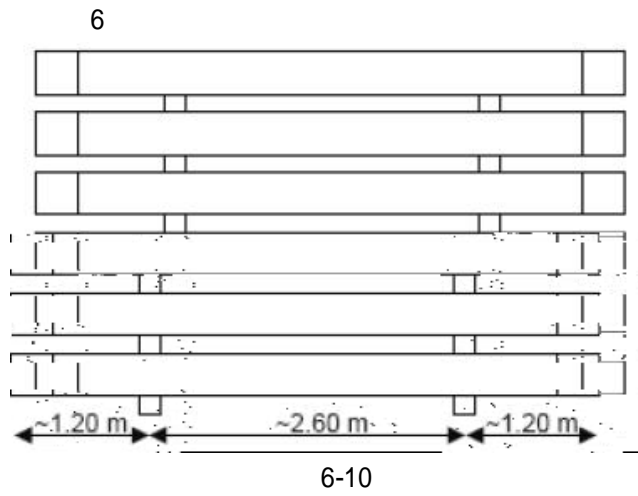
6.5

6.5.1

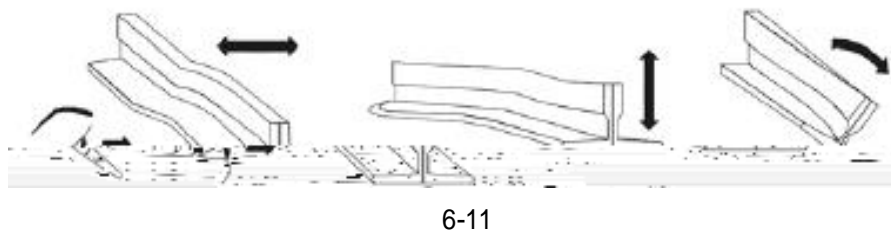
0.

2.

(



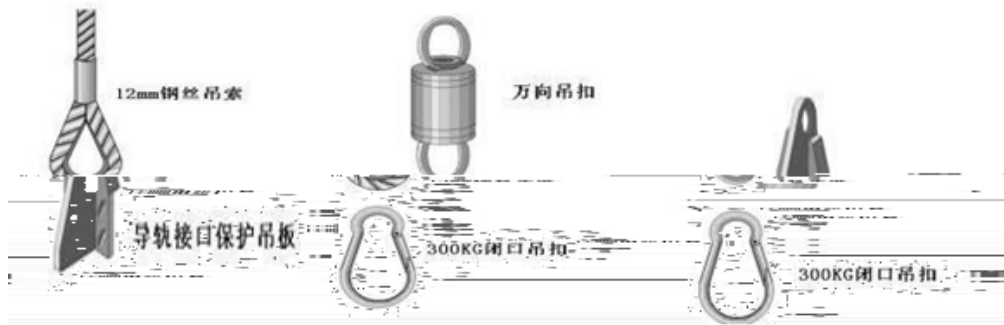
6.5.2



6.5.3

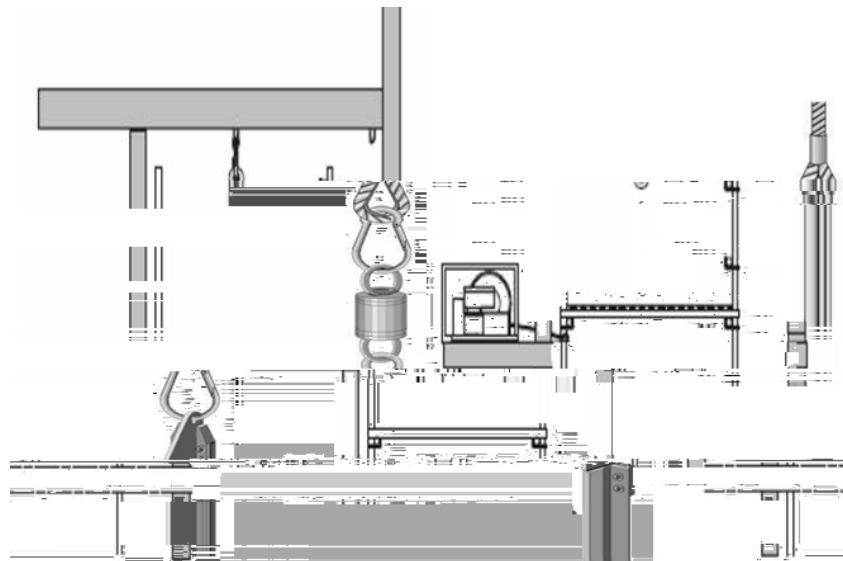
C!D

5m    5m    5m



6-12

6.5.4



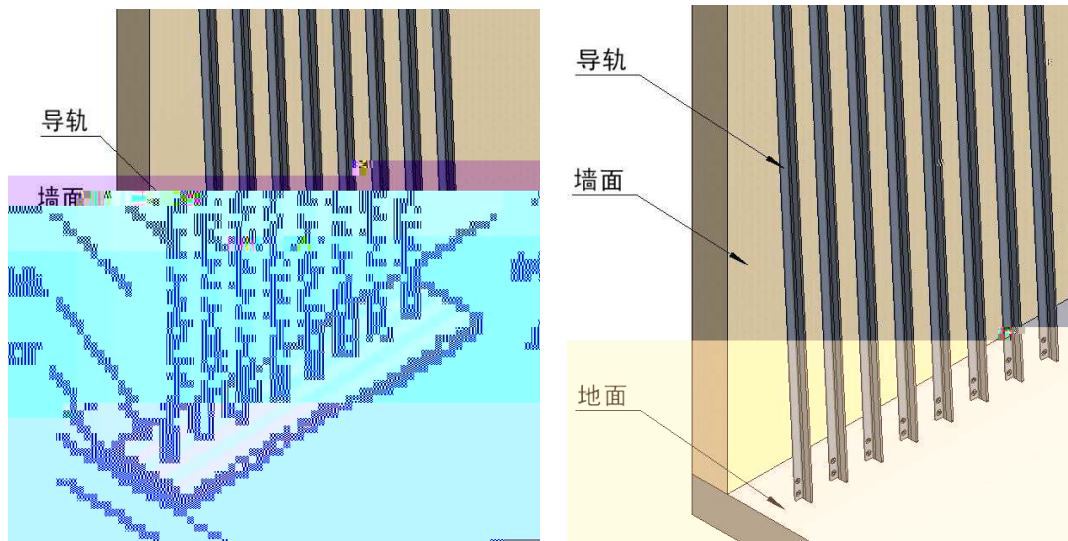
6-13

6.5.5

6.5.6

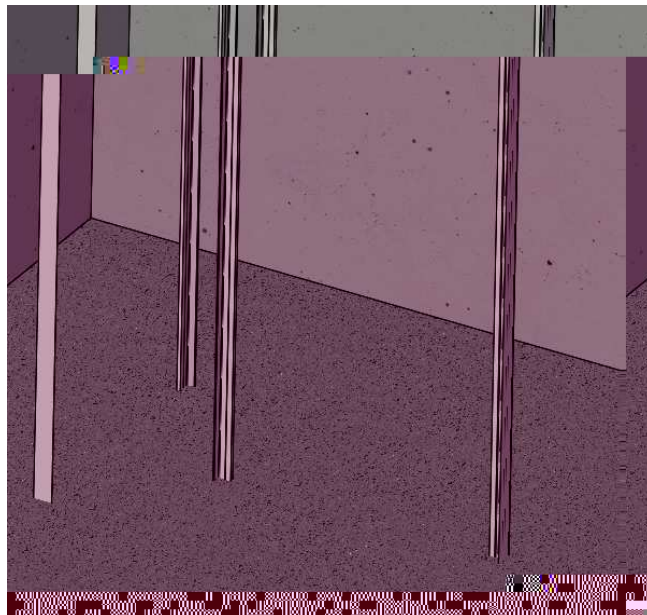
1/1000

6.5.7



6-14

6.6



6-15

6.7

1+

2+

3+

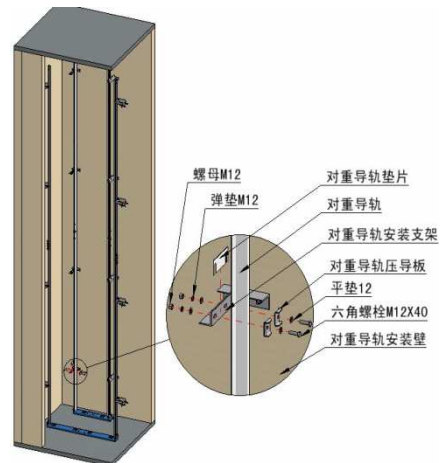
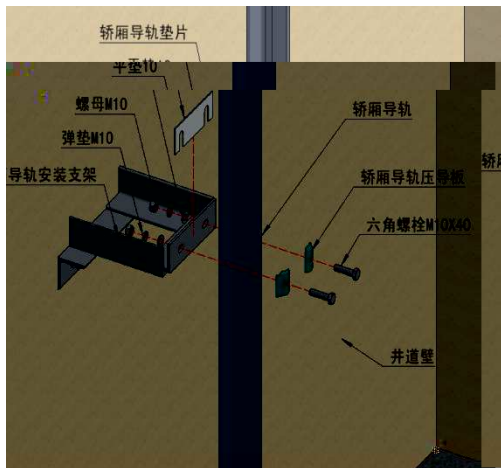
4+

5+

6+

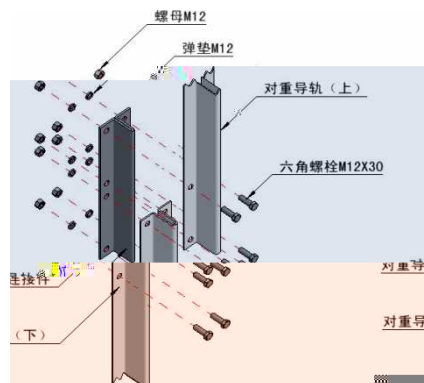
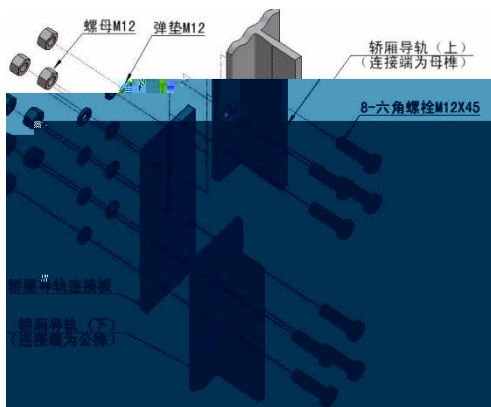
1‰

0.7mm



6-16

6.8



6-17



6.9

6.9.1      252.7

1+ 5 +  
 2+  
 3+  
 4+ 2000mm L  
 5+ 3mm 7mm 7mm 3mm  
 6+  
 7+ 6-1

6-1

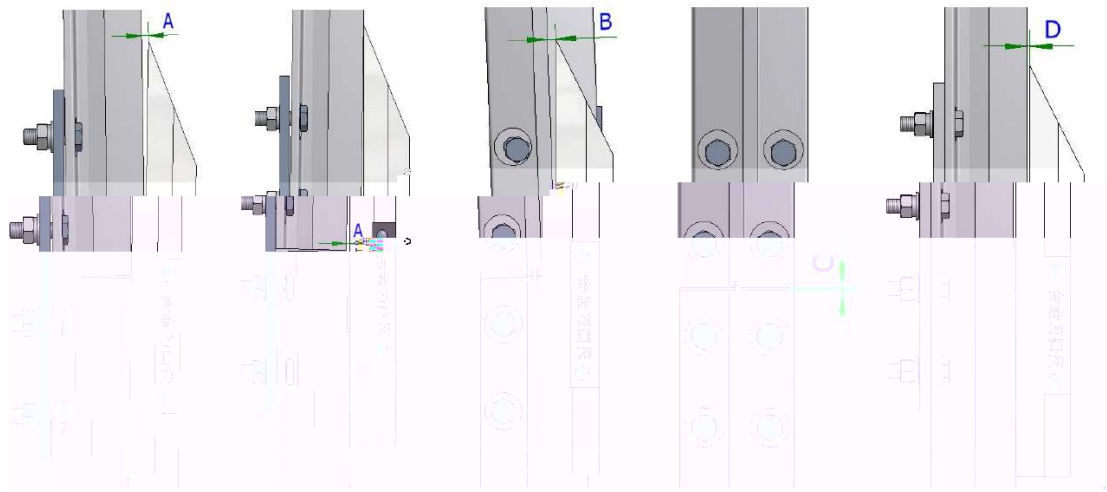
	2m/s		2m/s	
	0, )0.8	0, )1.5	0, )0.8	0, )1.5
	1	1.5	1	1.5

8+

6-2

	!	"	C	D
mm	0.05	0.05	0.5	0.05

300mm 500mm  
 ! " C D 5 6-26+  
 0.05mm 6-26 ! "  
 0.5mm 6-26 C

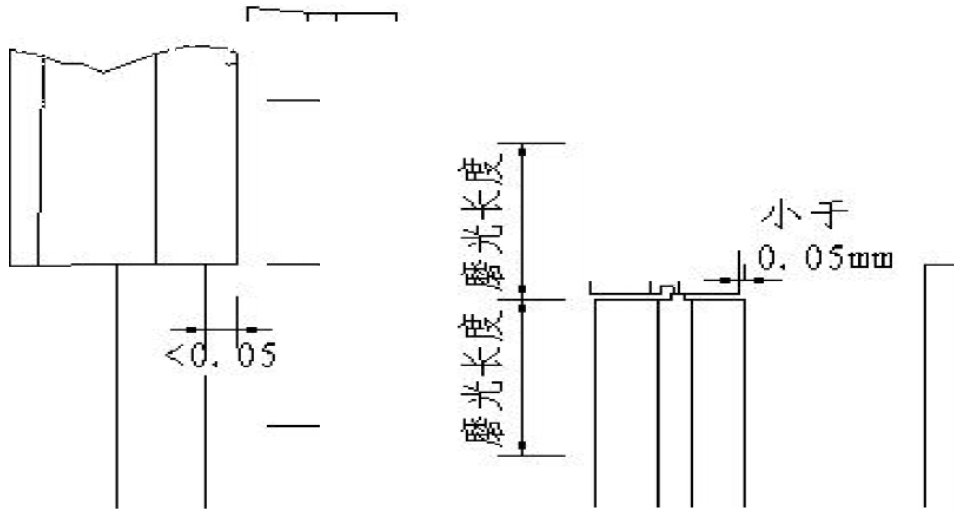


6-20

0.05mm

6-26 D

6-27



6-21

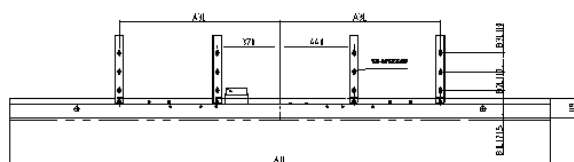
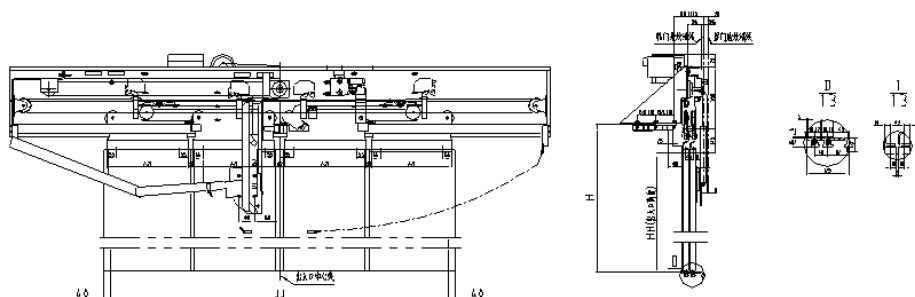
0.02mm

6-3

6-3

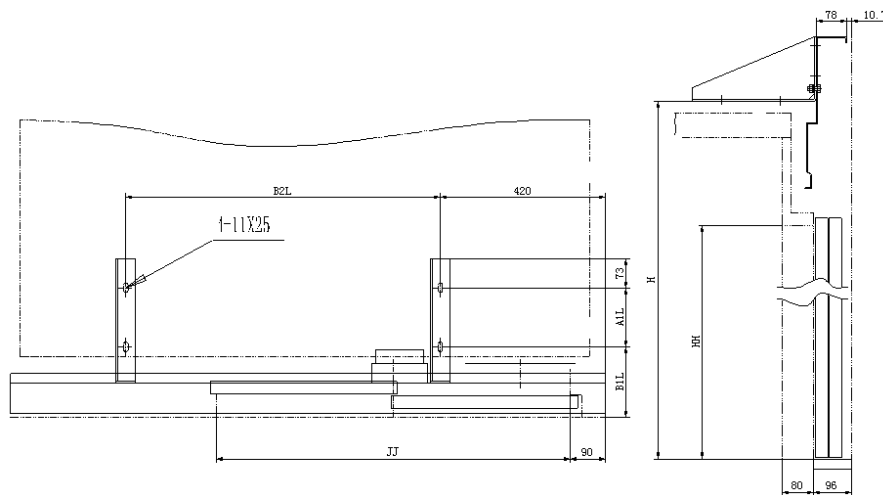
5m/s+	2.5m/s	2.5m/s
5mm+	300	200

THP

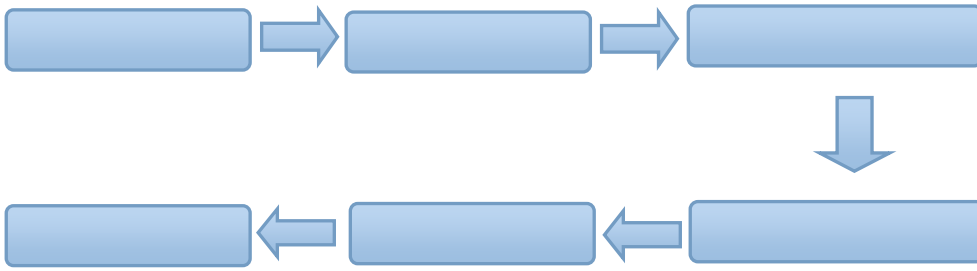


⑤0型特備用JJ<2000使用

分組	L	標準長	L00	A 1L	A 2L	A 3L
JJ-1600	L01	2600	380	700		
JJ-1700	L02	2750	405	725		
JJ-1800	L03	2900	430	750		
JJ-1900	L04	3050	455	775		
JJ-2000	L05	3200	480	800		
JJ-2100	L06	3350	505			
JJ-2200	L07	3500	530			
JJ-2300	L08	3650	555			
JJ-2400	L09	3800	580			
JJ-2500	L10	3950	605			
JJ-2600	L11	4100	630			
JJ-2700	L12	4250	655			
JJ-2800	L13	4400	680			
JJ-2900	L14	4550	705			
JJ-3000	L15	4700	730			
JJ-1500	L16	2450	355	675		
JJ-1600	L17	2300	330	630		



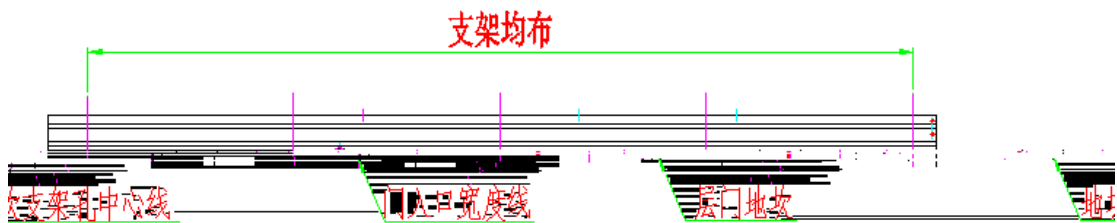
7.2



7.3

7.3.1

7-1

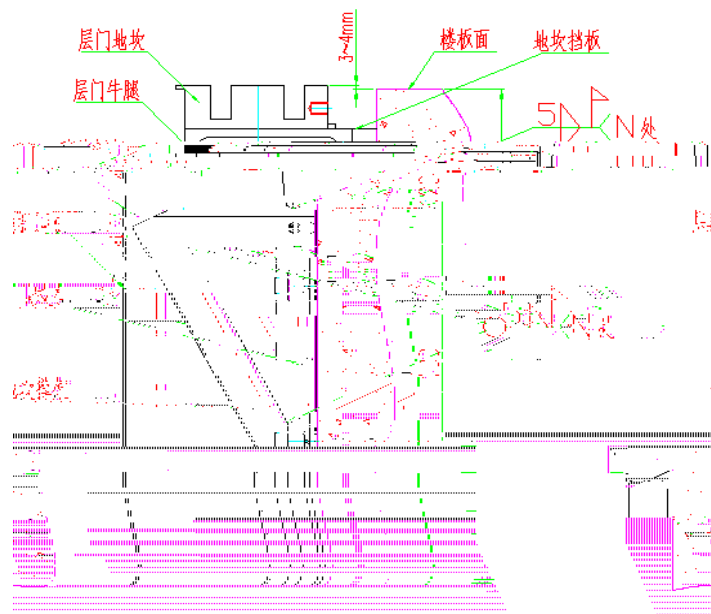


7-1

7.3.2

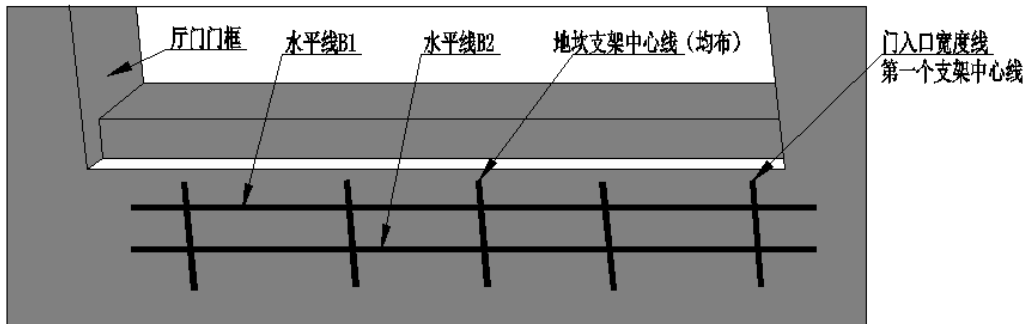
- 1)
- 2)

3 4



7-2

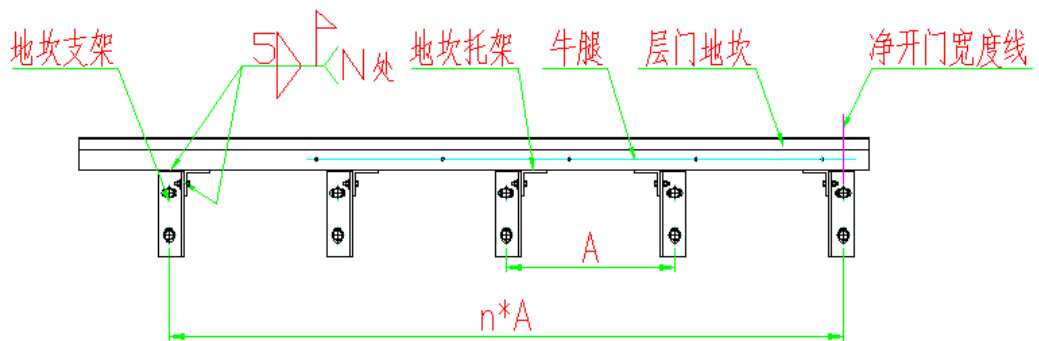
"1 "2  
100 "2  
M10680



7-3

7.3.3

M10680



7-4

7.3.4

1/1000

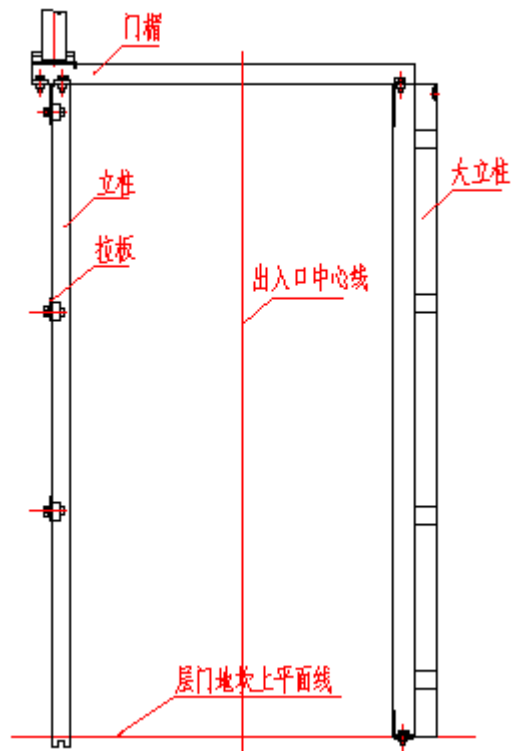
3 4

30 32

7.4

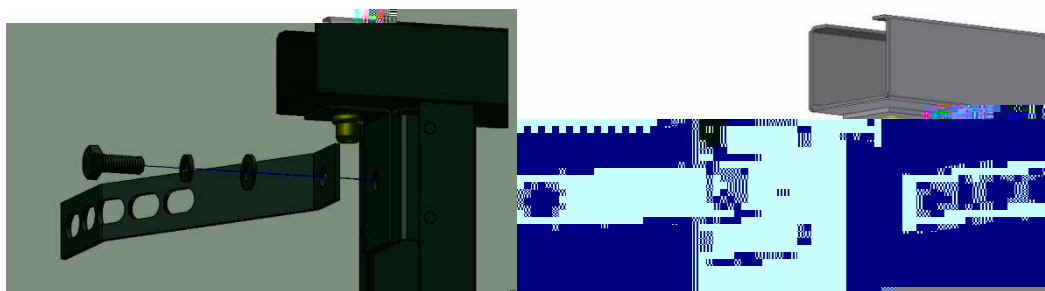
7.4.1

7-5



7-5

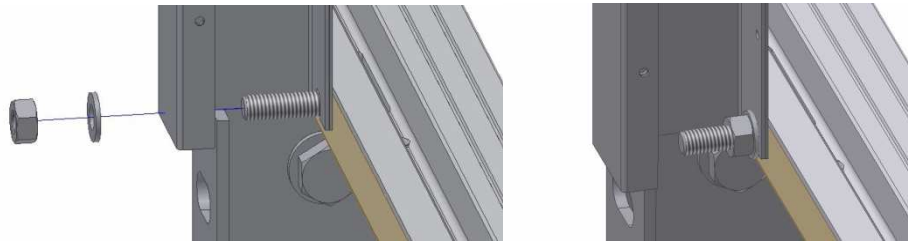
7.4.2



7-6

7.4.3

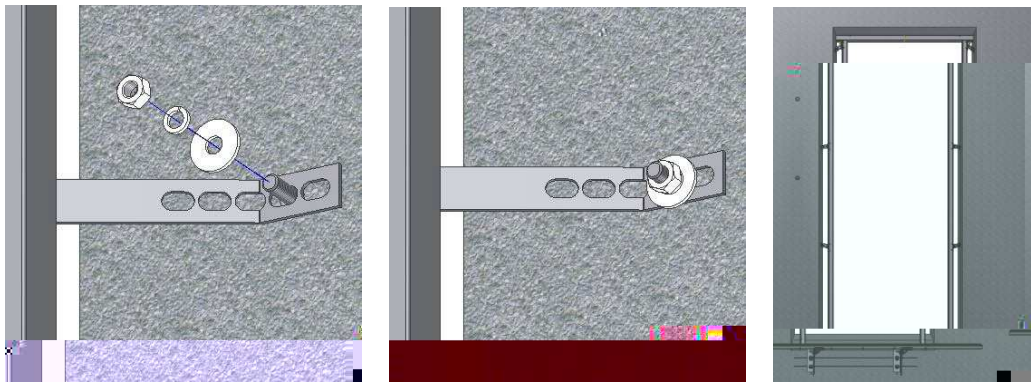
7-7



7-7

7.4.4

7-8



7-8

7.4.5

1/1000

1/1000

7.5

7.5.1

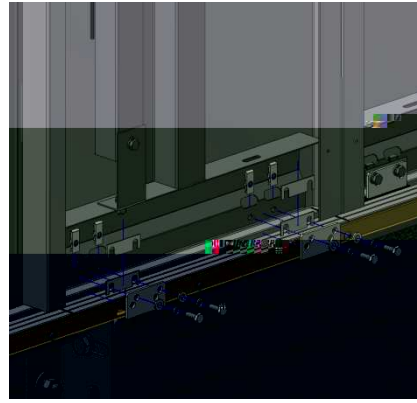
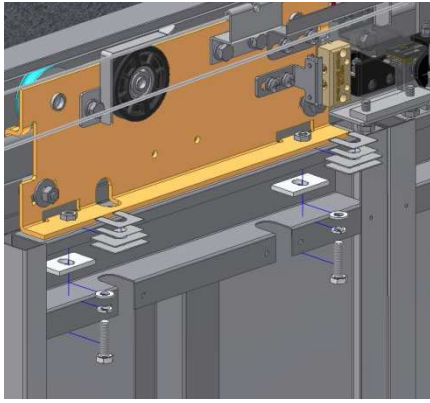
7-9



7-9



7.5.2



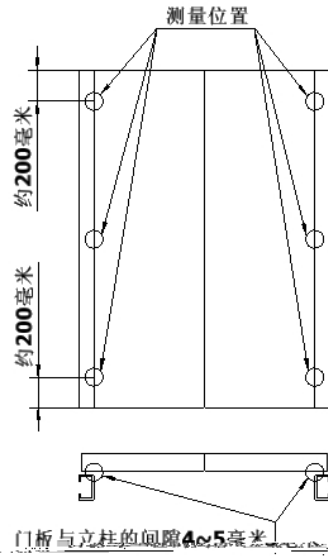
7-12

7.6.2

7

4 5\_Ax\_5x

4 5 7-15

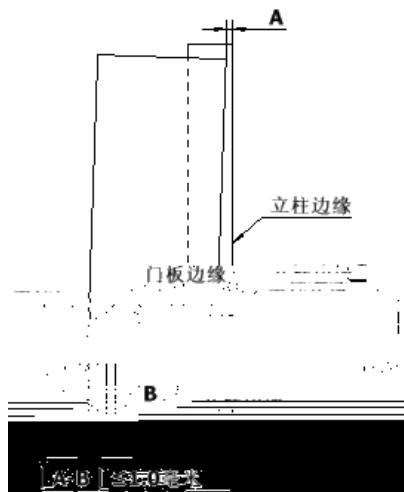


3+

7-15

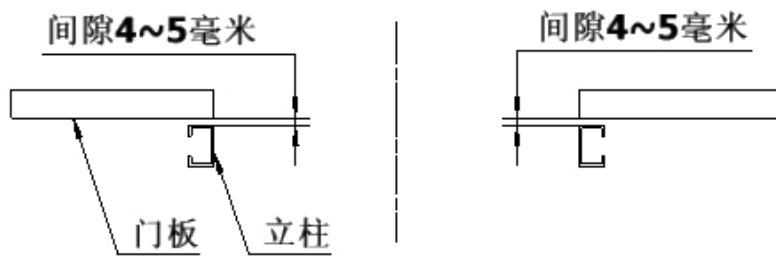
1.0

7-16



7-16

4 7-17



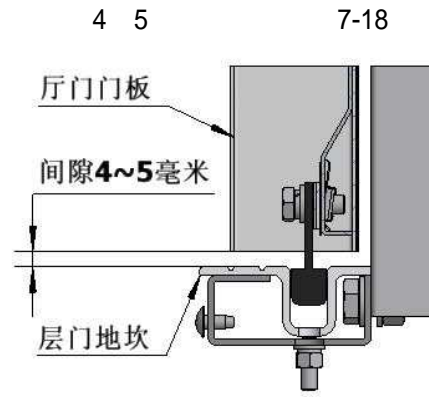
开门状态

7-17

4+



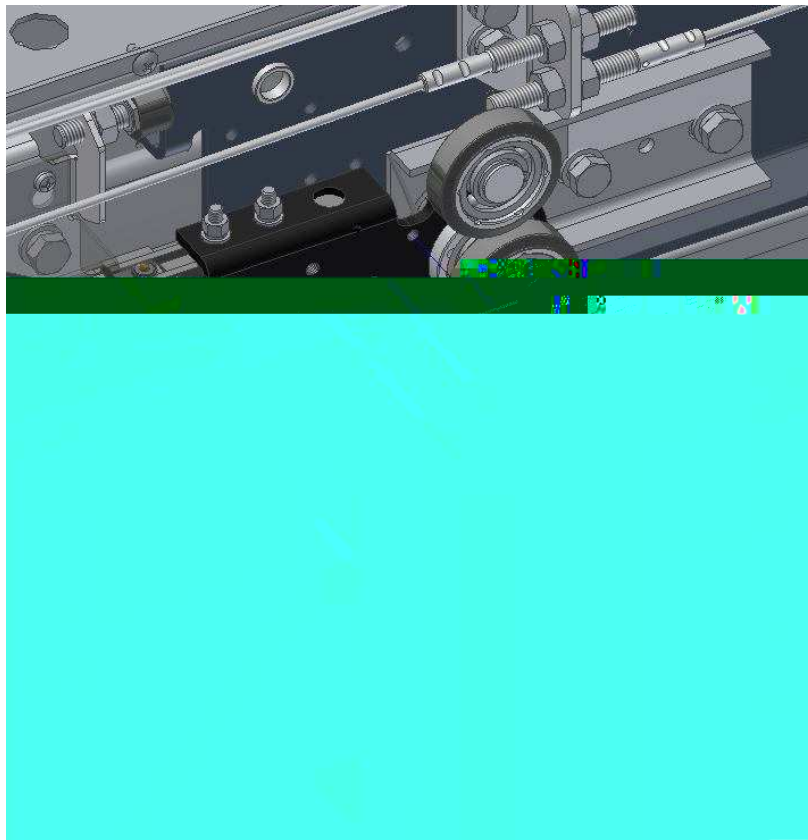
7-18



7.7

7.7.1

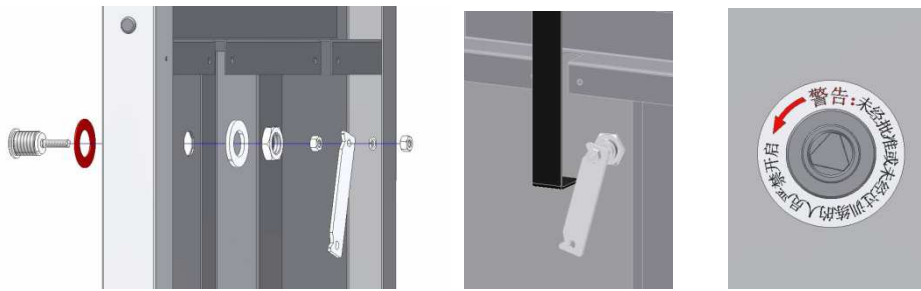
7-19



7-19

7.7.2

7-20



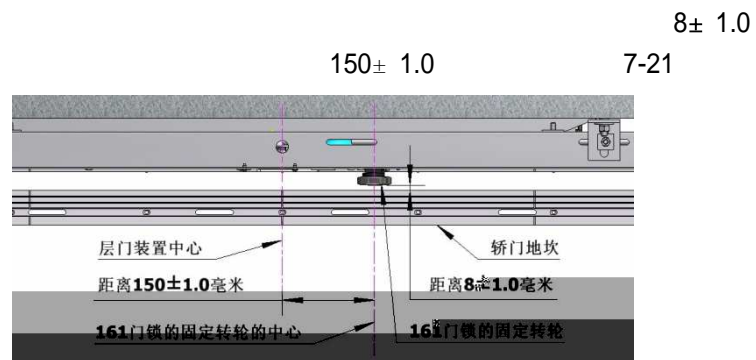
7-20

7.7.3

7.7.4

0.

1.

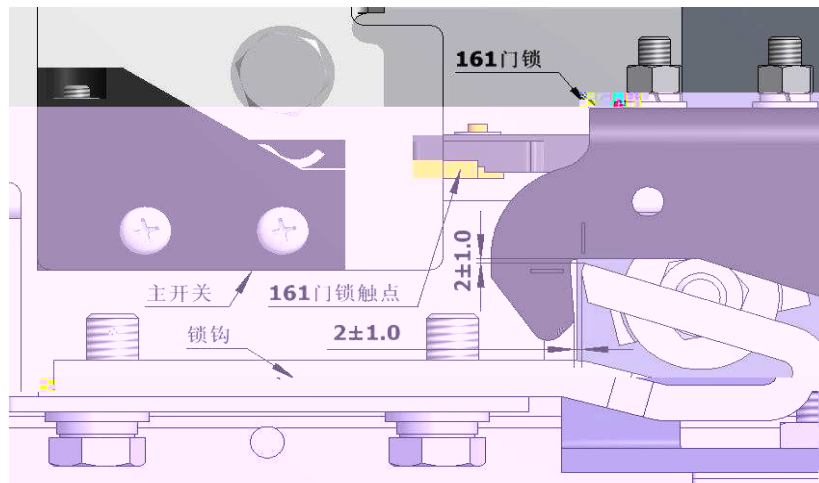


7-21

2.

2 ± 1.0

7-22



7-22



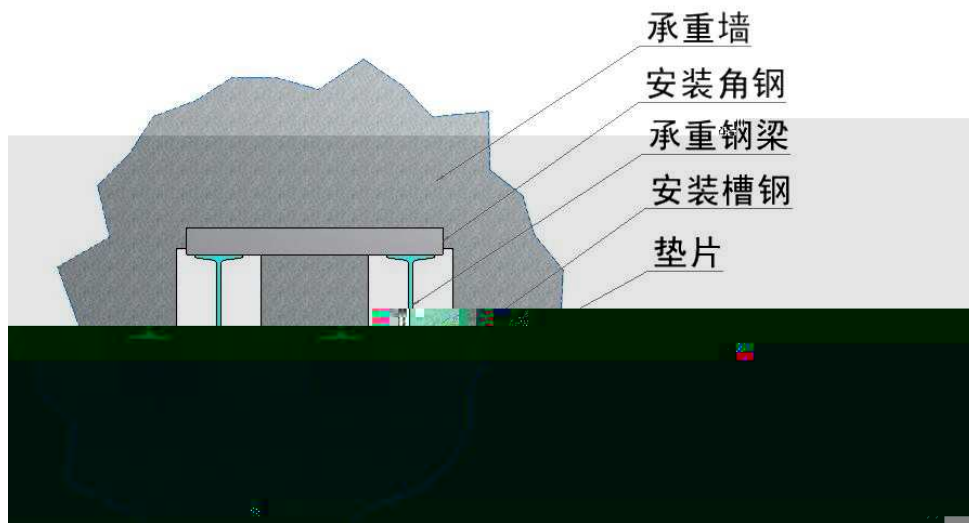
7.9

8

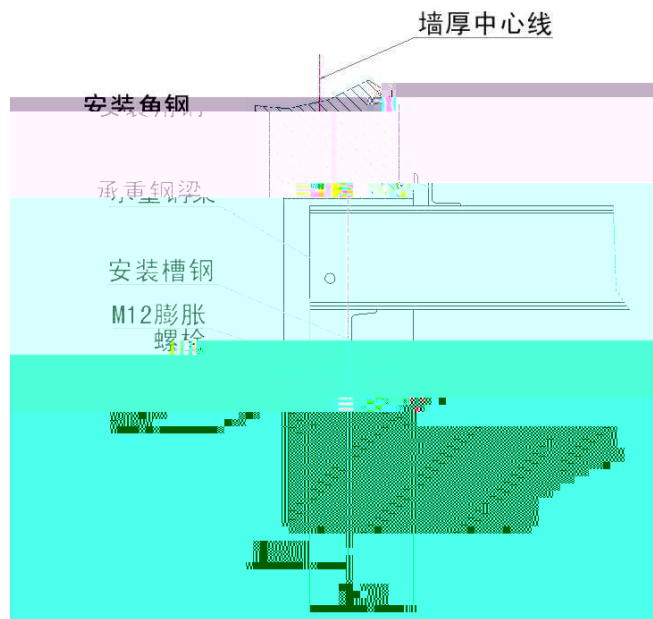
8.1

GB10060-2011

20mm

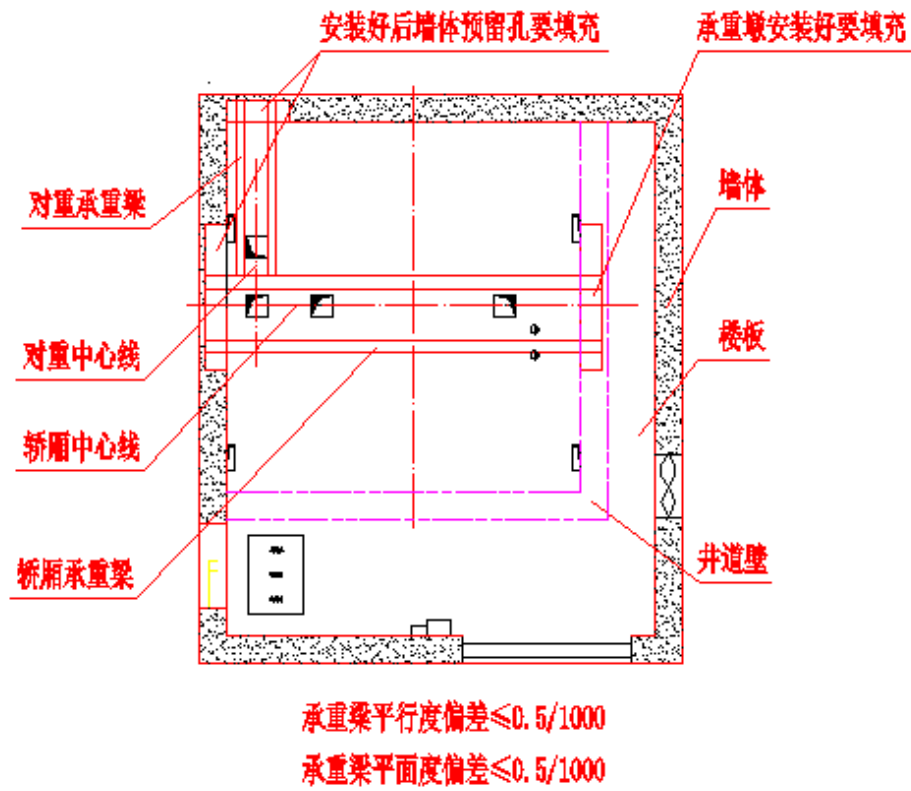


8-1



8-2





8-3

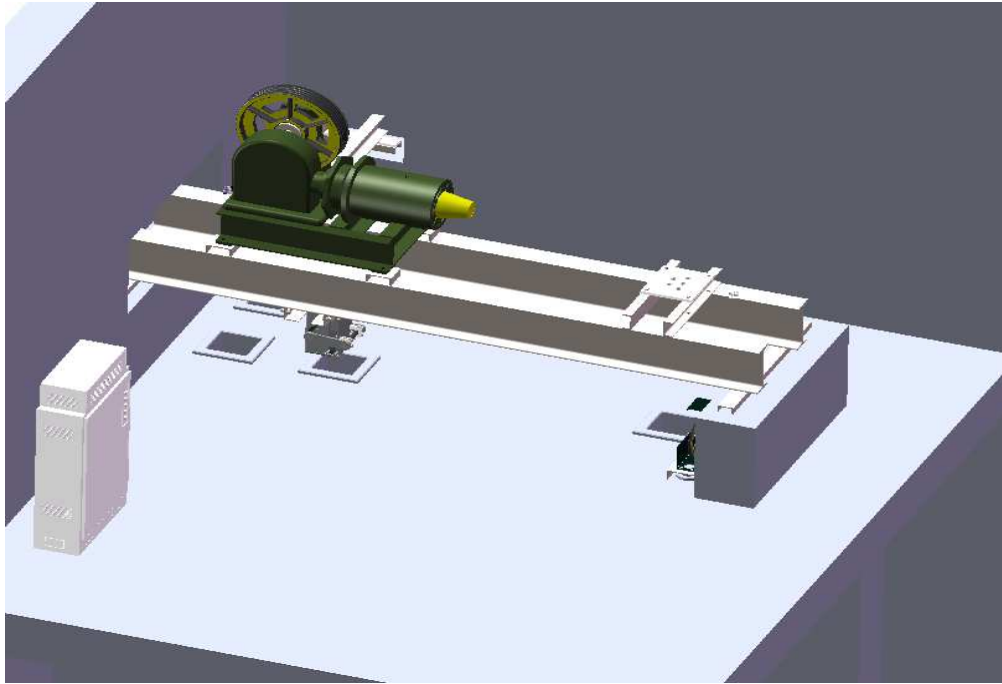
8.2

" 10060-2011

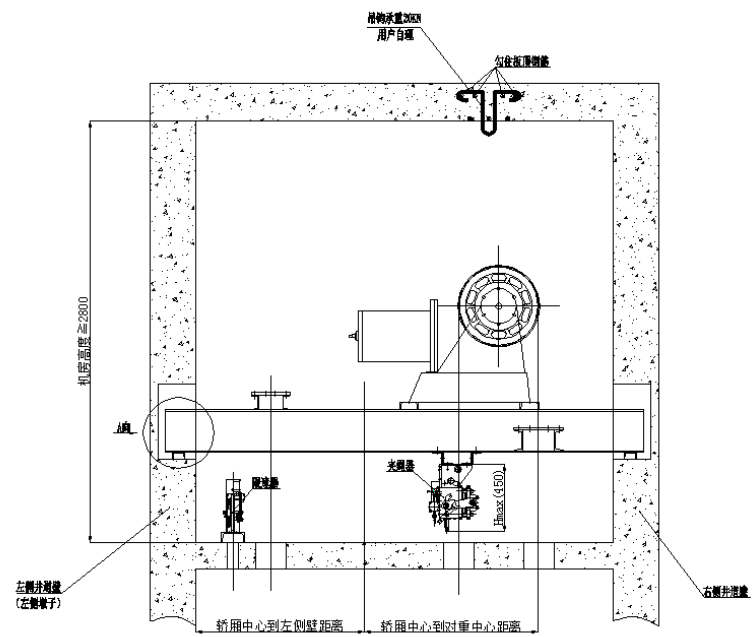
8.2.1

8.2.2

7



8-4



8-5

- |    |     |     |
|----|-----|-----|
| 0. |     | 1mm |
| 1. | 1mm |     |
| 2. |     | 1mm |
| 8. |     | 1mm |
| 9. |     | 2mm |

∴  
g.  
∴  
∴

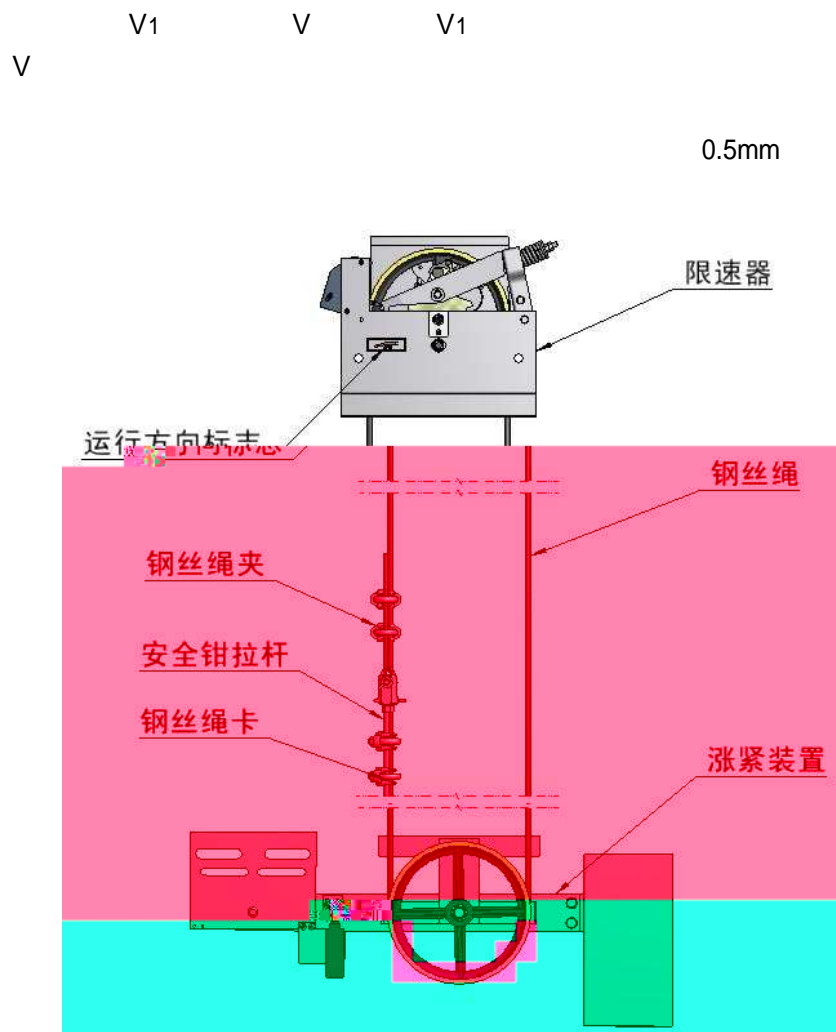
2mm

0.7mm

9

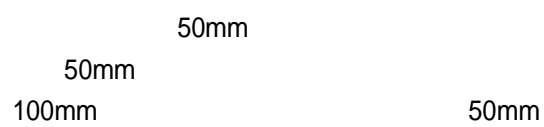
9.1

9.2



9-1

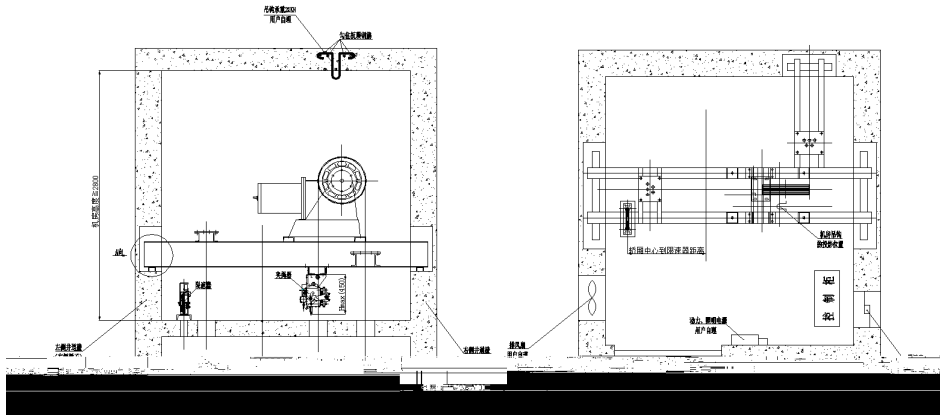
9.3



9.4

± 3

0.5



9-2

9.5

3

6D D

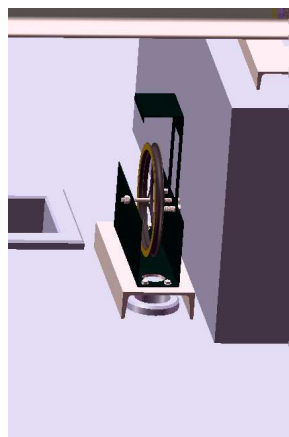
4

9.6

! 400± 50mm

300N

3mm



9-3

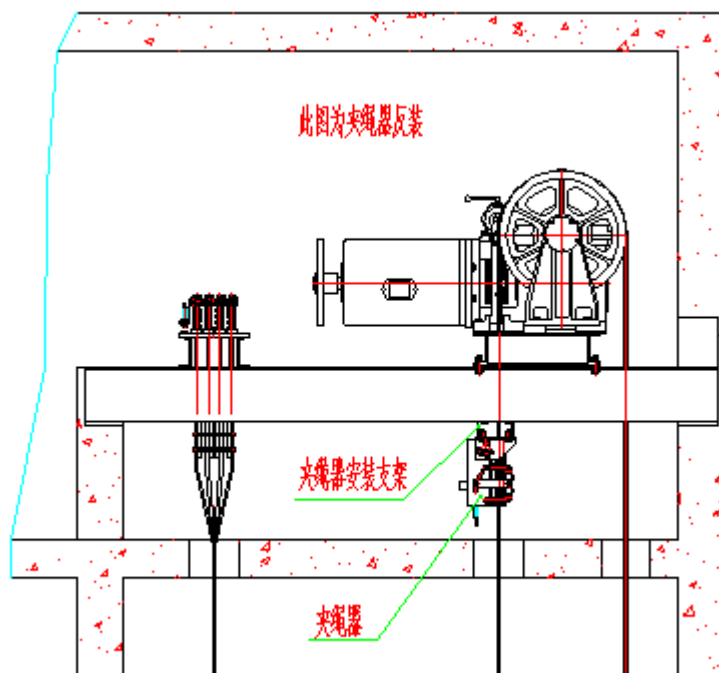
9.7

9.7.1

a

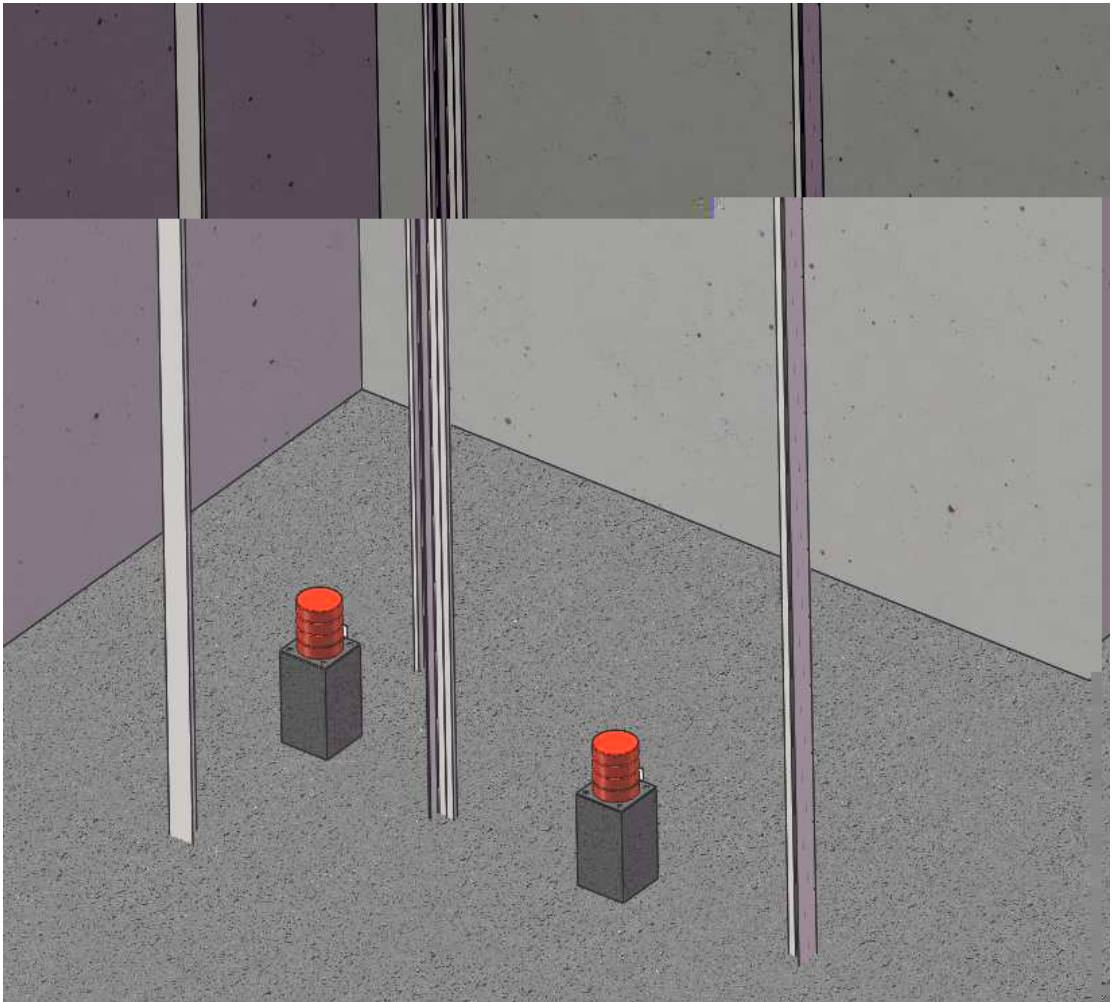
b

9.7.2



10

10.1



10-1

0.

0.5 \*

1.

20mm

2mm

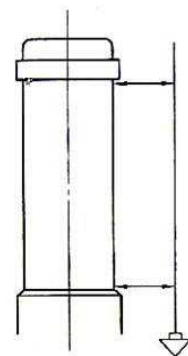
2.

8.

150 400mm

9.

150 400mm



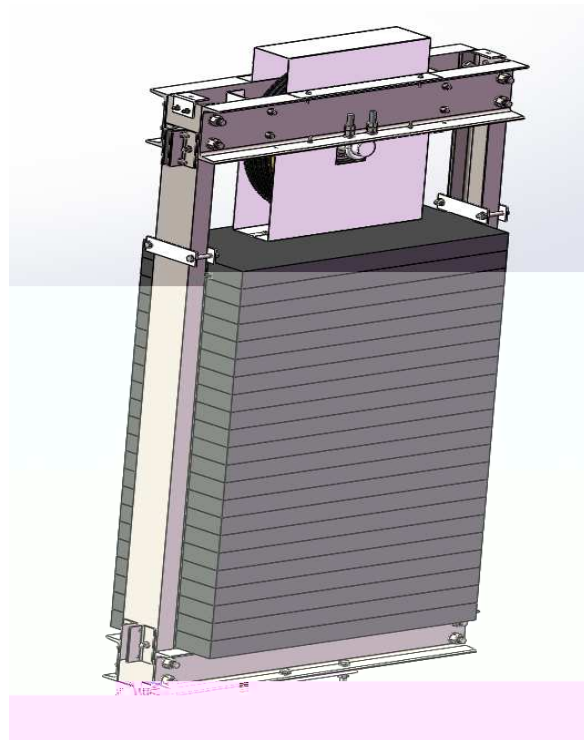
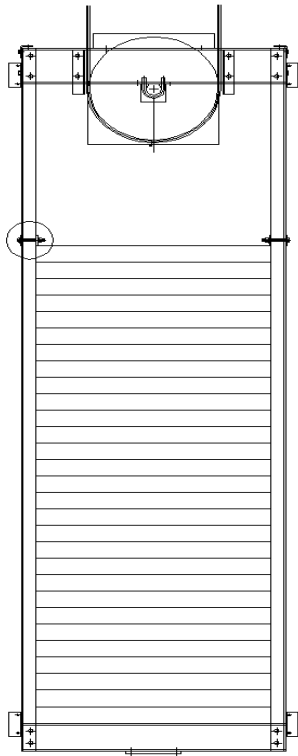
10-2

10.2

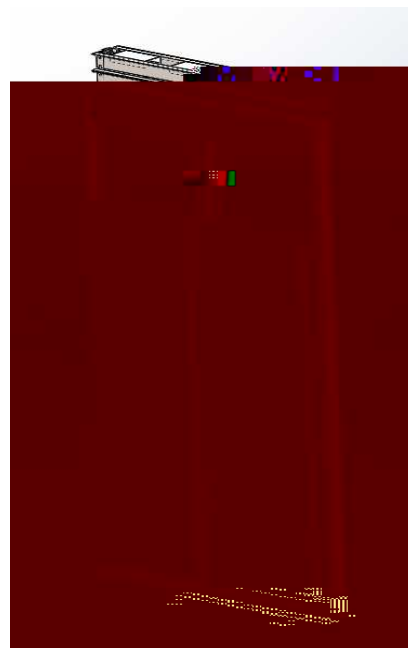
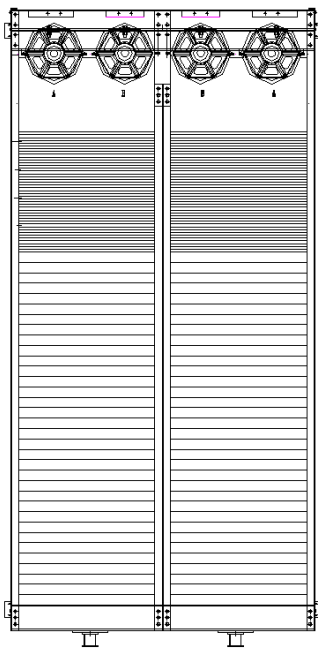
10.2.1

3mm

10.2.2



10-3 2(1)



10-4 4(1

!! " "

8(1

!! " "



10.2.3

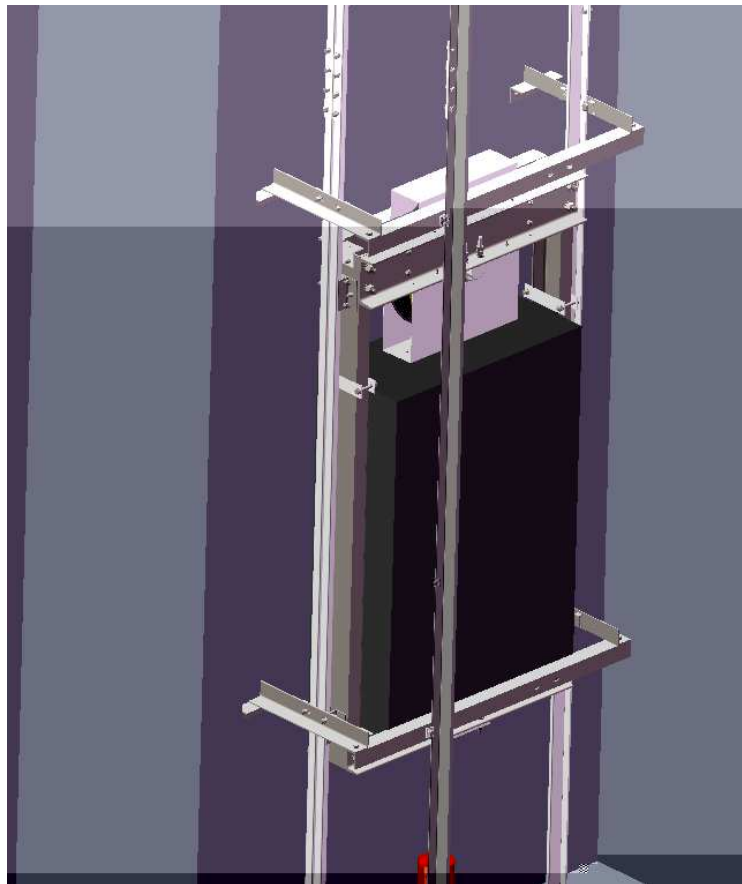
10.2.4

50 mm

10.2.5

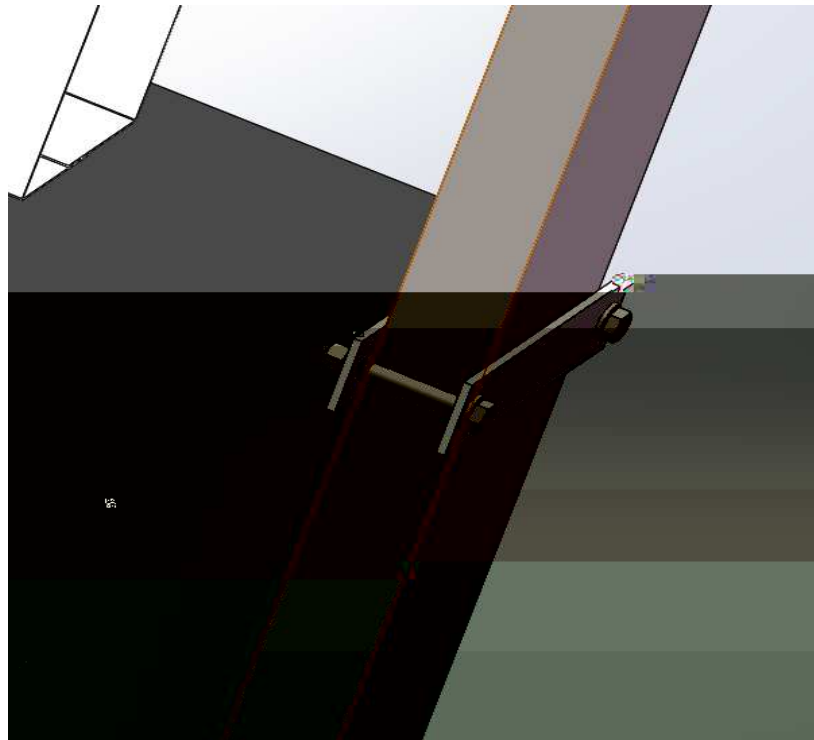
4

10-5



10-5  
50 \*

4



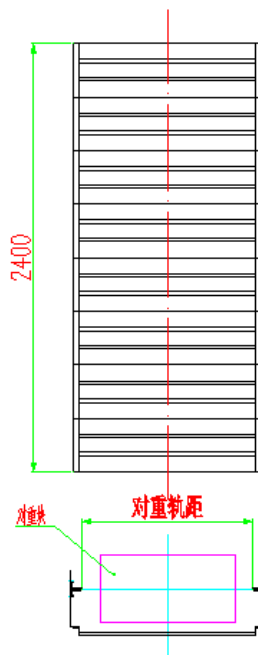
10-6

10.2.6

10.2.7

300mm

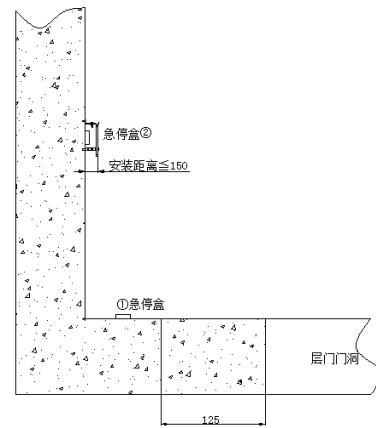
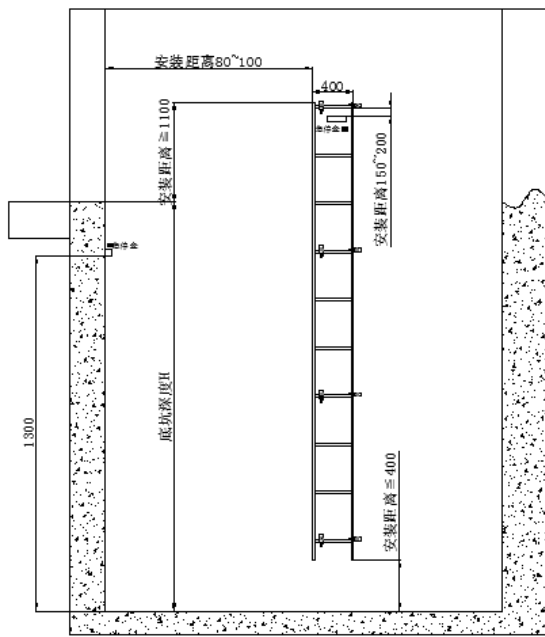
2500mm



10-7

10.3

10-8

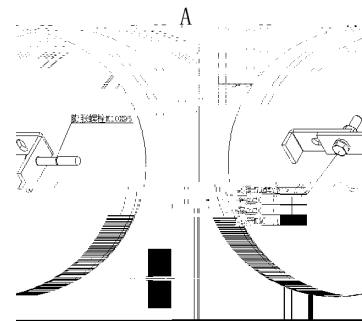
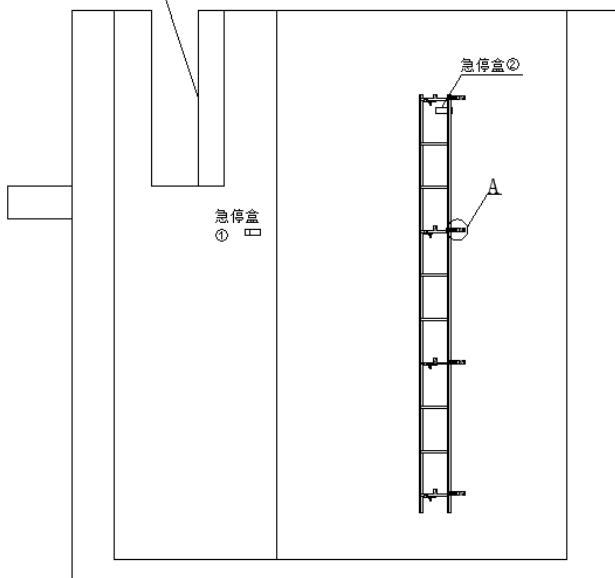


10-8

1. 1300mm
2. 150mm, 200mm=

125mm

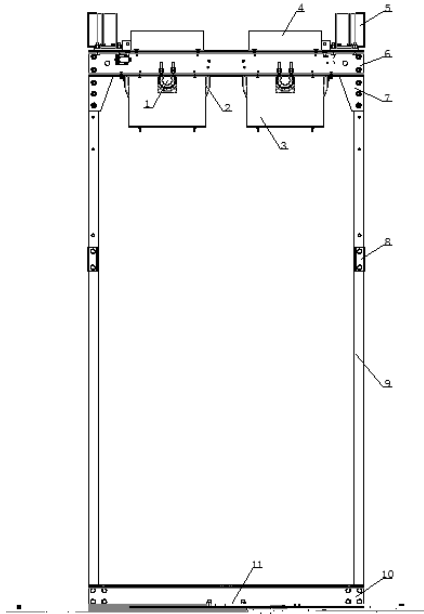
层门门洞



10-9

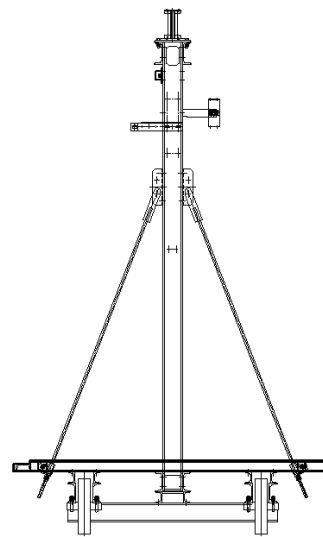
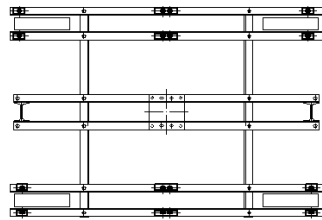
- 1.
- 2.
- 3.

11

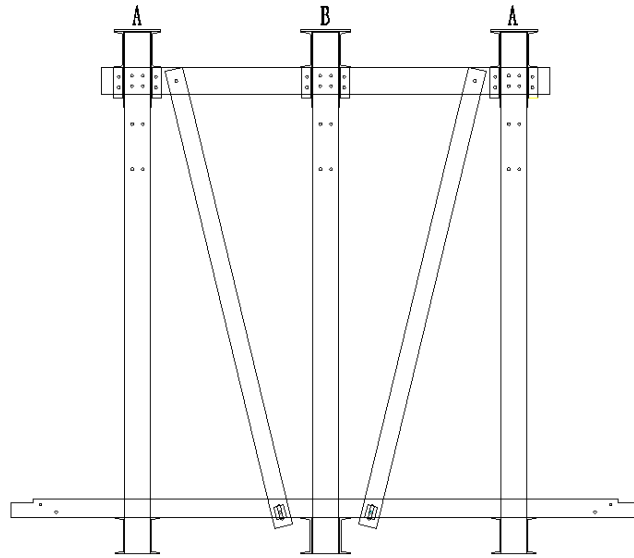


11-1

- |     |     |    |
|-----|-----|----|
| 1.  | 2.  | 3. |
| 4.  | 5.  | 6. |
| 7.  | 8.  | 9. |
| 10. | 11. |    |



11-2



11-3

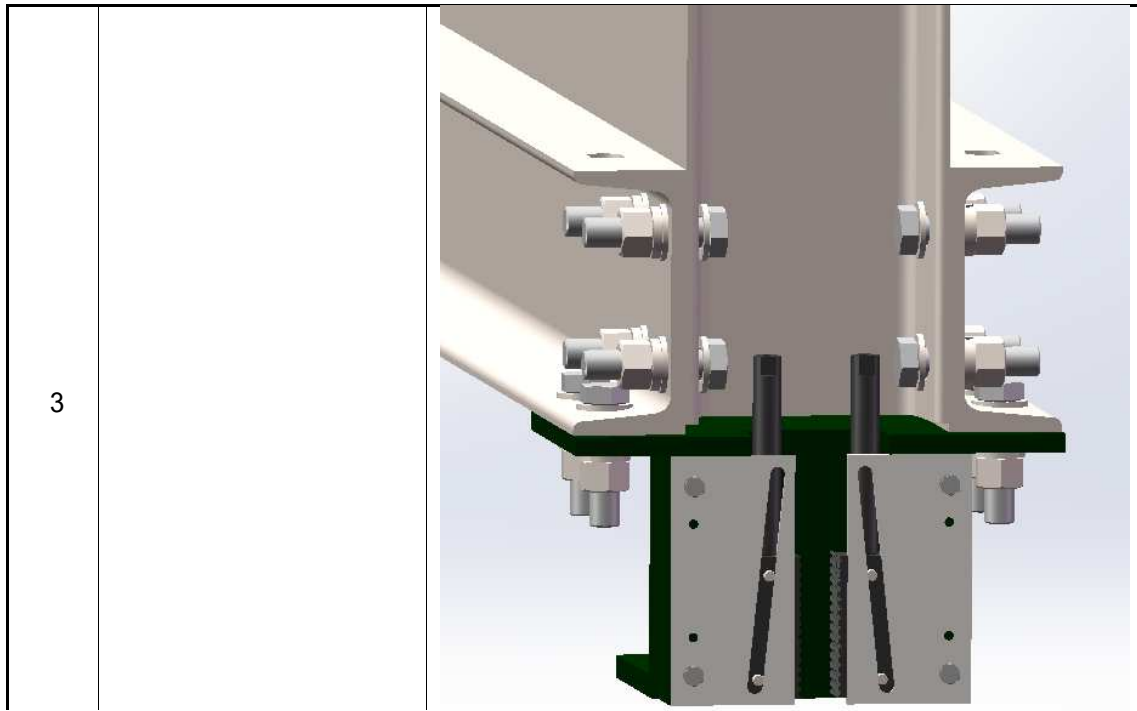
!"

!"!

11.1

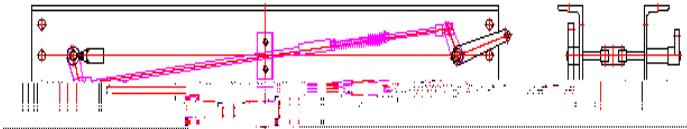
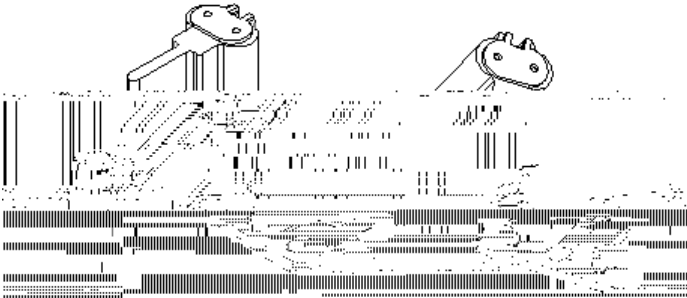
11.1.1

1		
2		




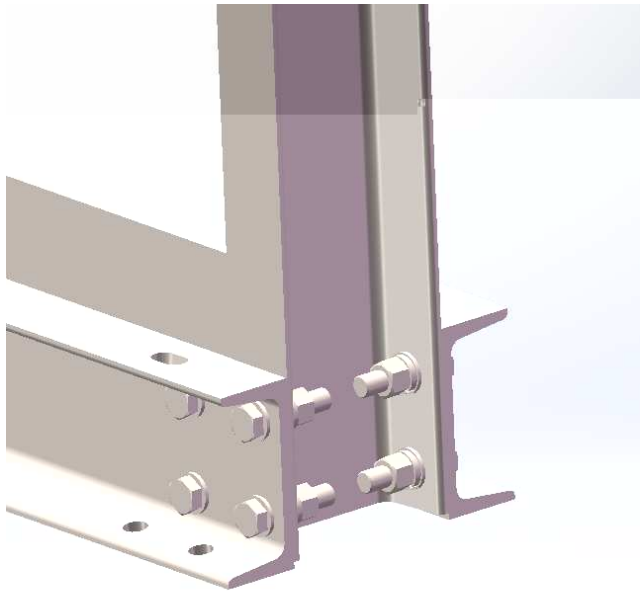
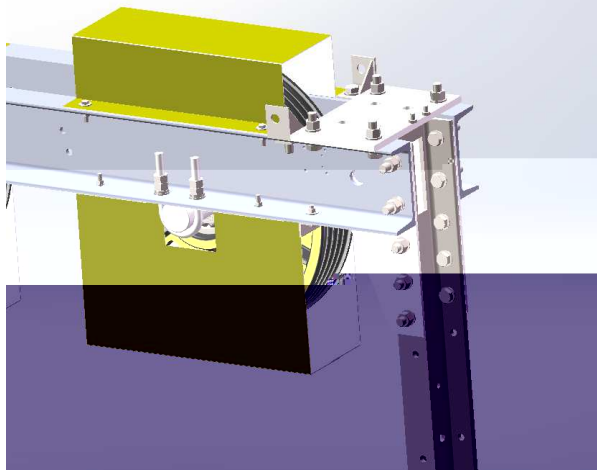
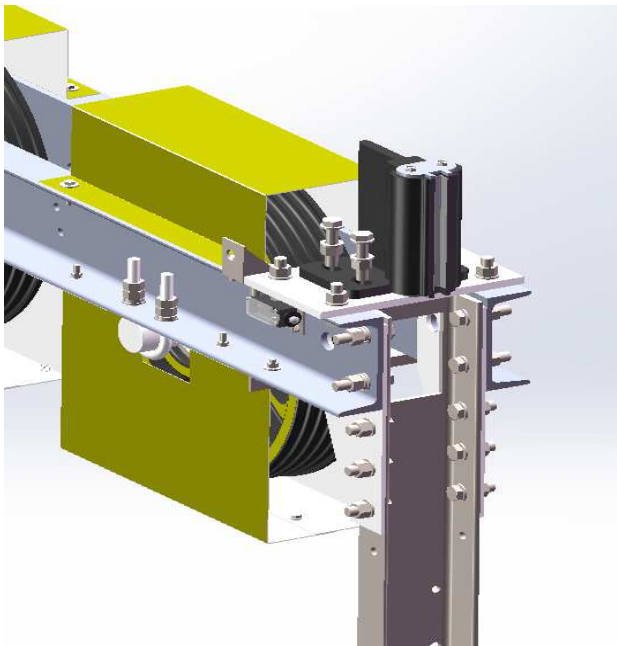
3

4

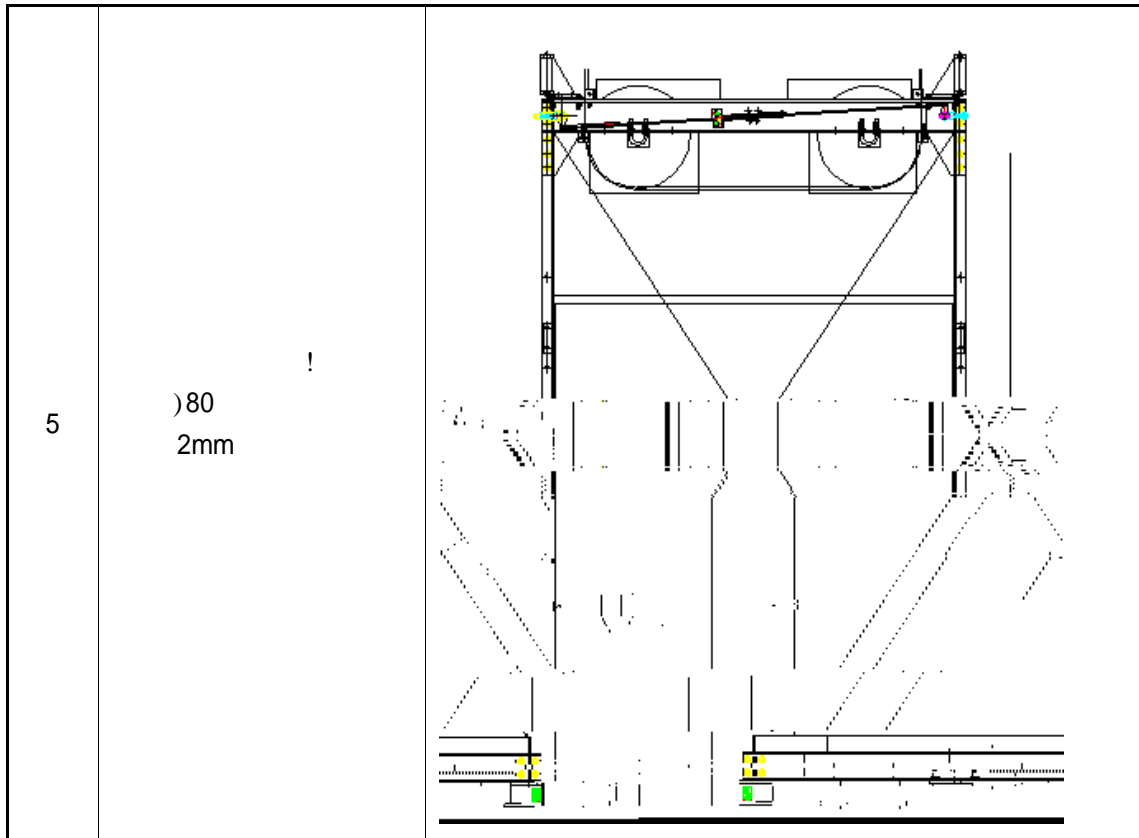
<p>4</p>		
<p>5</p>	<p>6</p>	

11.1.3

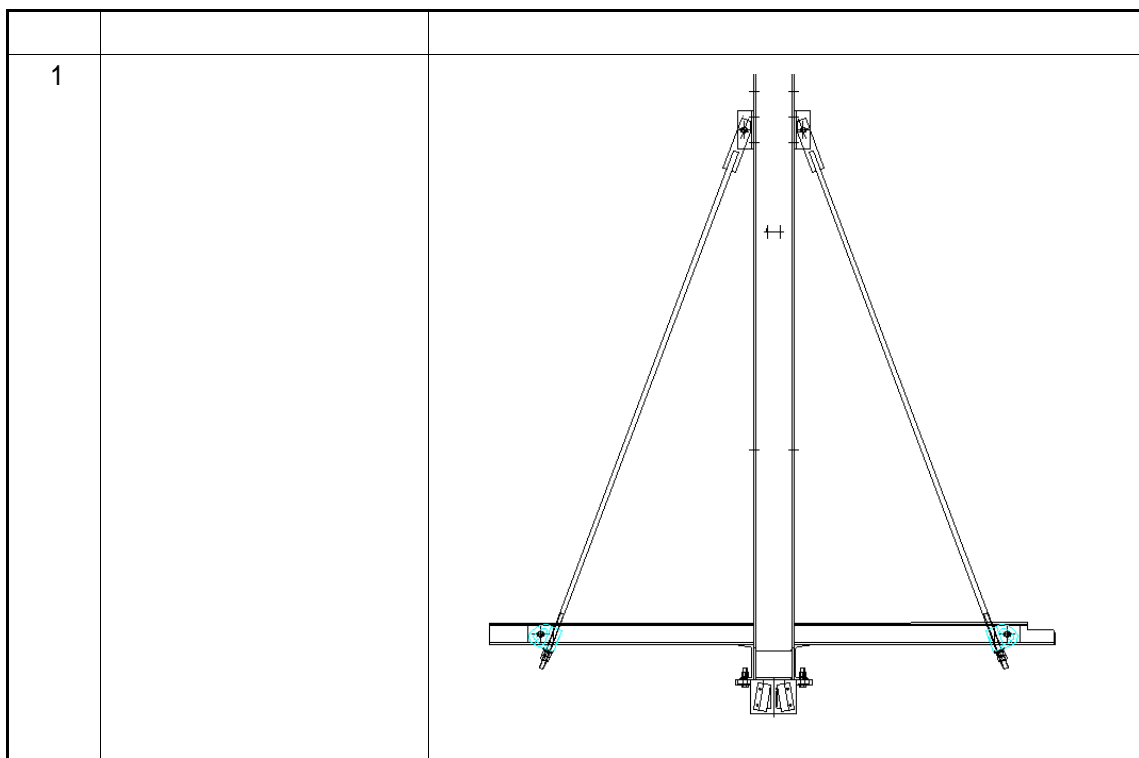
<p>1</p>		
----------	--	--

<p>2</p>		
<p>3</p>		
<p>4</p>	<p>4</p>	





11.2



12

12.1

" 10060-2011

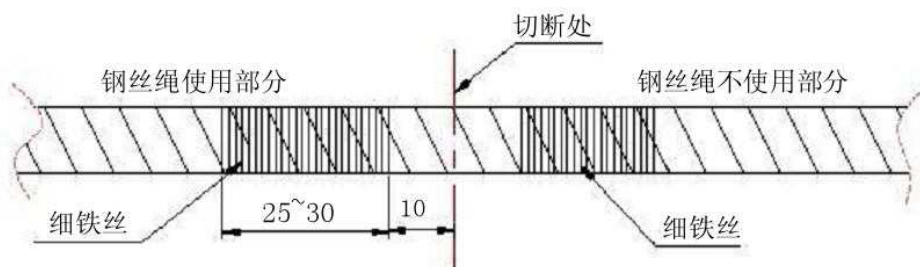
4.2.11

" 10060-2011 4.5.5

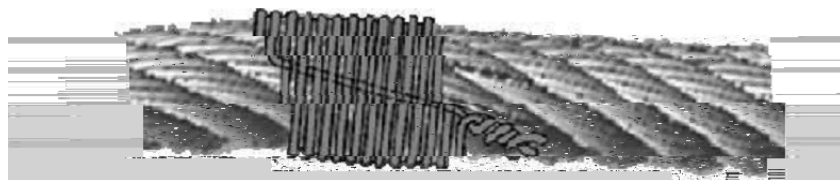
12.2

5%

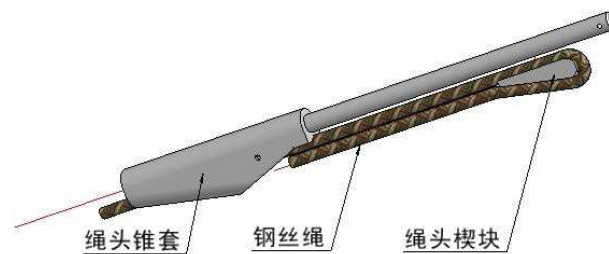
12.3



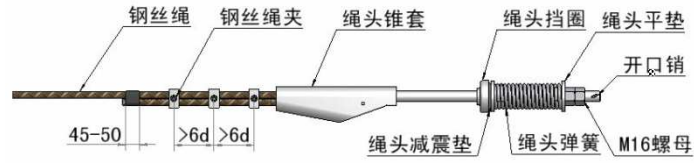
12-1



12-2

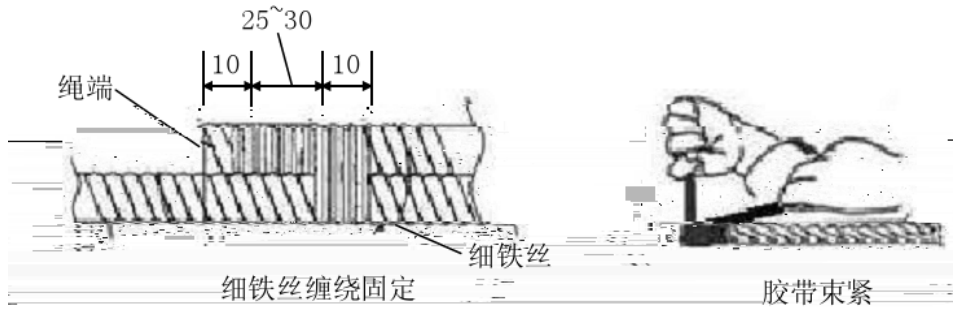


12-3

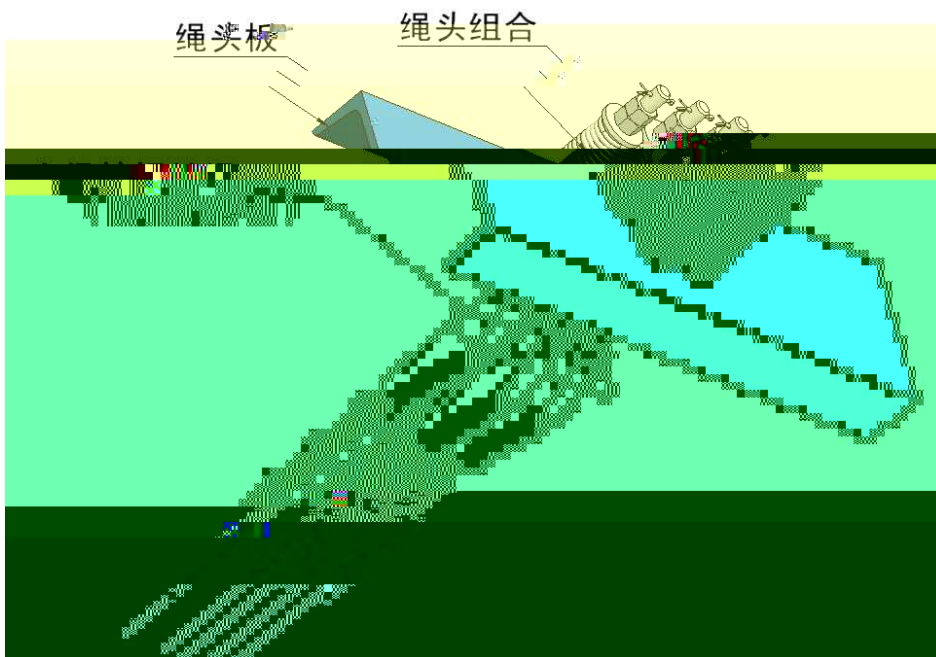


注：钢丝绳夹型号应与钢丝绳相匹配，钢丝绳夹间距应大于钢丝绳公称直径的6倍，安装需牢固。

12-4



12-5



12-6

12.4

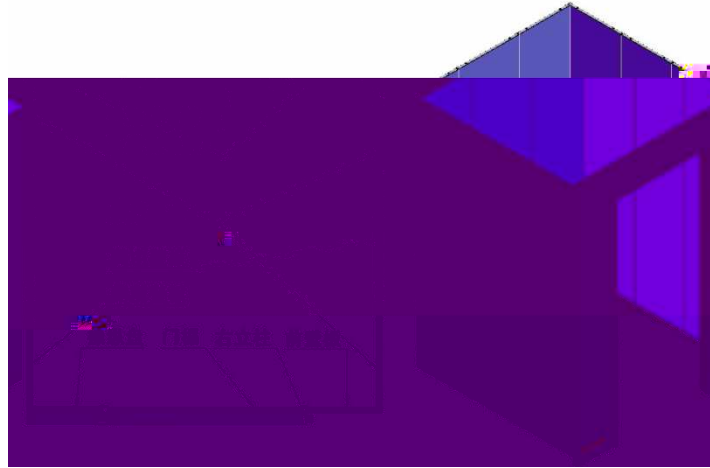


2/1000

0-)2mm

13.3

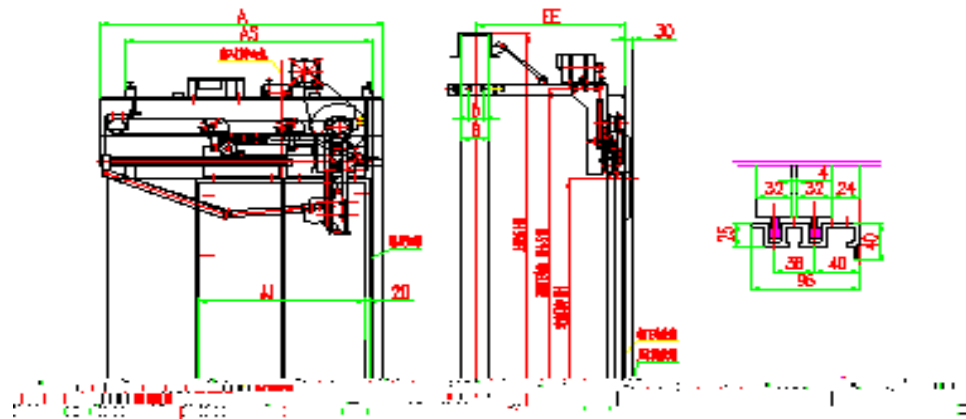
1/1000



13-2

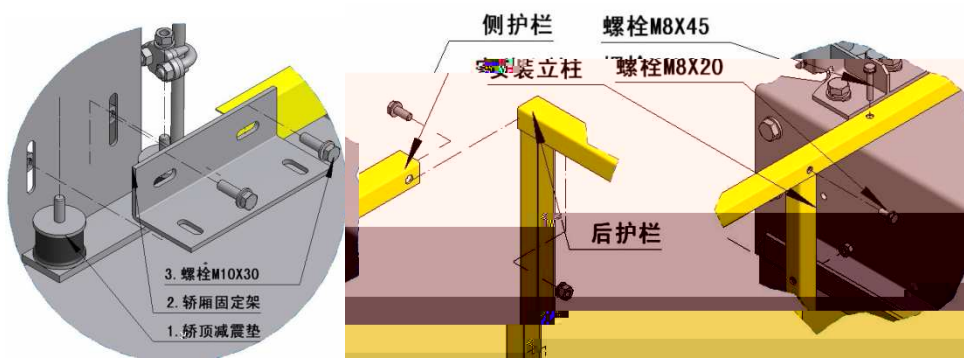
13.4

2mm



13-3

13.5



13-4

3,5mm

14

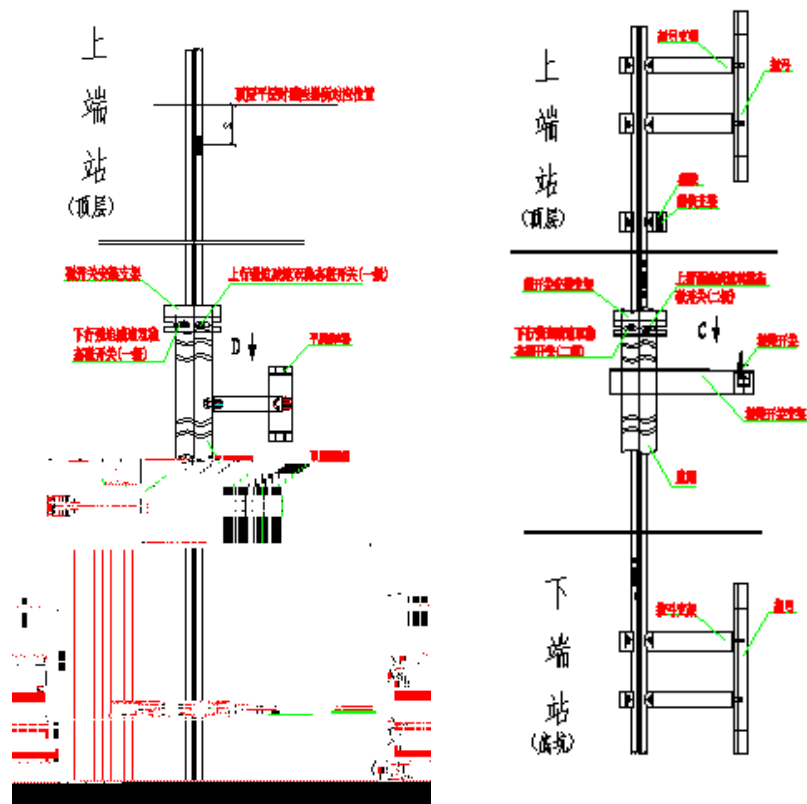
14.1

150mm

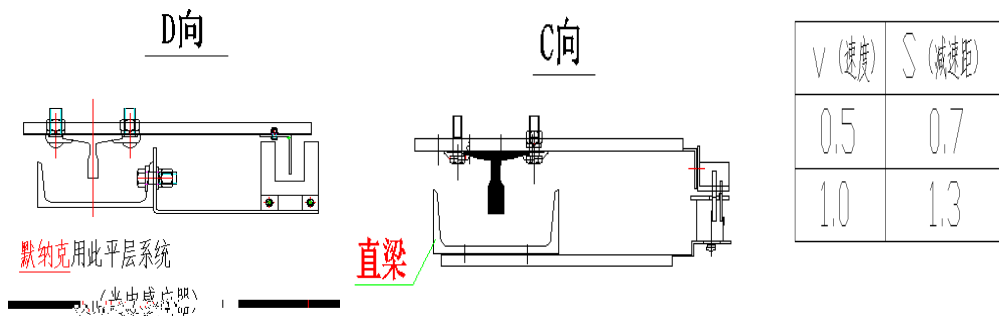
14.2

80mm

14.3



14-1



14-2





16

16.1

16.2

1.

2.

16.3

16.4

220V

2#)#E

16.5

0.5

4m

#

#

1.5

4

16.6

2

16.7

"

"

16.8

30

17

17.1

17.1.1

500V

17.1.2

2 m

17.1.3

17.1.4

20mm

17.2

3 m

5‰

50mm

15mm

17.3

150mm

#VC

1

2

2

5‰

10mm

3

17.3.1

17.3.2

17.4

17.4.1

0.

1.

220V

2.

8.

2018

9.

40\*

60\*

∴

9.

17.4.2

1.

2.

3.

50mm

95 \*

1m/s

10 \*

5N

± 5mm

0.1mm

3mm

$\pm 0.5\text{mm}$   
**ff**      1.6m/s      D"       $\pm 1\text{mm}$       1.6m/s

3mm

102m      6mm      5mm

5mm      10mm

10mm ± 1mm

5mm      4,6mm

